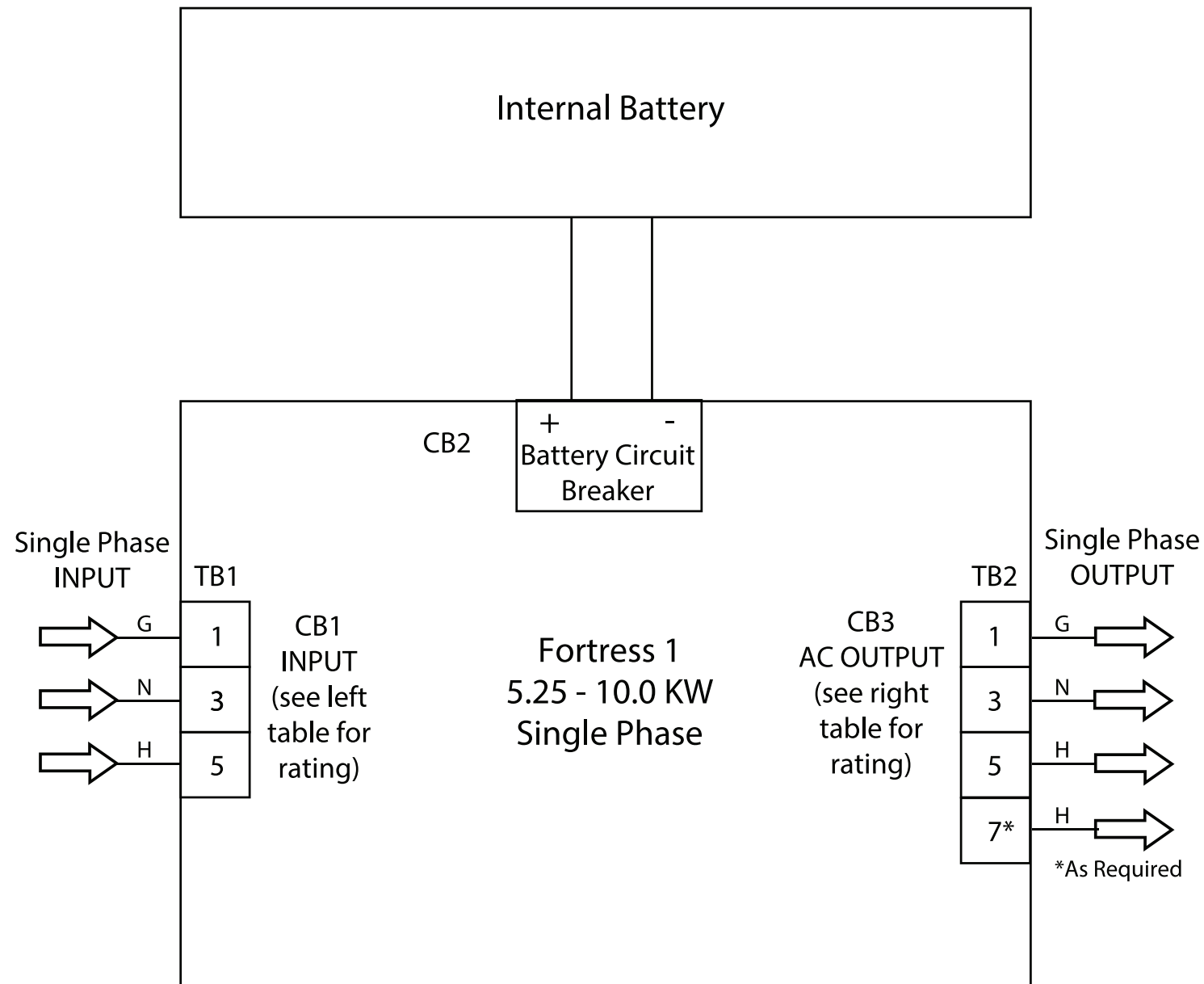


KW	Input Voltage	Utility Feed Amps
5.25	120	76.6
	208	44.2
	240	38.3
	277	33.5
	480	19.1
7.0	120	102.1
	208	58.9
	240	51
	277	44.2
	480	25.5
8.0	120	116.7
	208	67.3
	240	58.4
	277	50.6
	480	29.2
10.0	120	146
	208	84.2
	240	73
	277	63.2
	480	36.5



KW	Output Voltage	Max Output Amps
5.25	120	43.8
	277	19
	480	10.9
	120/240*	43.8/21.9
	120/277*	43.8/19
7.0	120	58.4
	277	25.3
	480	14.6
	120/240*	58.4/29.2
	120/277*	58.4/25.3
8.0	120	66.7
	277	29
	480	16.7
	120/240*	66.7/33.4
	120/277*	66.7/29
10.0	120	83.4
	277	36
	480	20.8
	120/240*	83.4/41.7
	120/277*	83.4/36