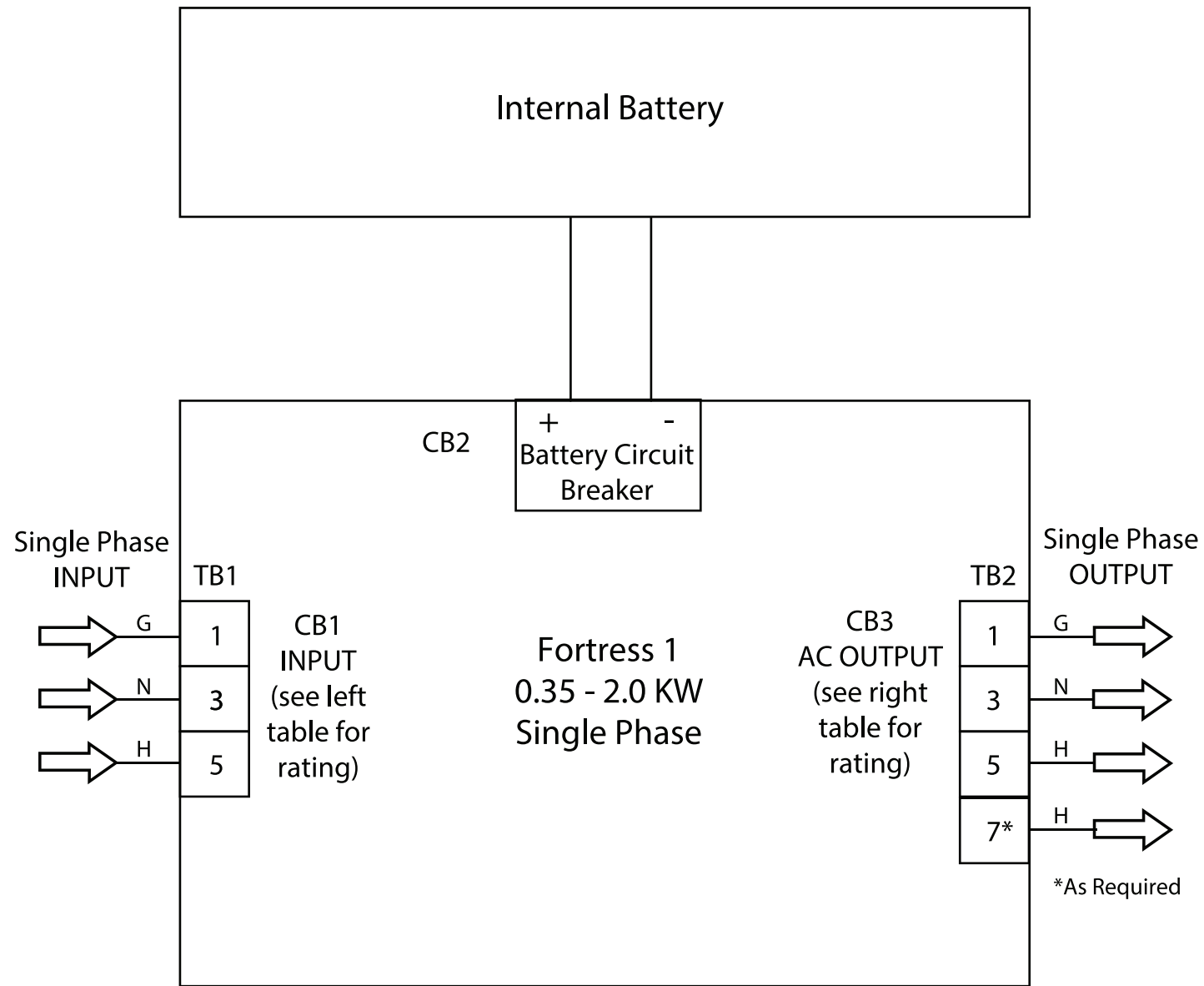


| KW | Input Voltage | Utility Feed Amps |
|-------|---------------|-------------------|
| 0.35 | 120 | 5 |
| | 208 | 3 |
| | 240 | 2.6 |
| | 277 | 2.2 |
| | 480 | 1.3 |
| 0.525 | 120 | 7.7 |
| | 208 | 4.4 |
| | 240 | 3.8 |
| | 277 | 3.3 |
| | 480 | 1.9 |
| 0.7 | 120 | 10.2 |
| | 208 | 5.9 |
| | 240 | 5.1 |
| | 277 | 4.4 |
| | 480 | 2.6 |
| 0.875 | 120 | 12.8 |
| | 208 | 7.4 |
| | 240 | 6.4 |
| | 277 | 5.5 |
| | 480 | 3.2 |
| 1.05 | 120 | 15.3 |
| | 208 | 8.8 |
| | 240 | 7.7 |
| | 277 | 6.6 |
| | 480 | 3.8 |
| 1.4 | 120 | 20.4 |
| | 208 | 11.8 |
| | 240 | 10.2 |
| | 277 | 8.8 |
| | 480 | 5.1 |
| 2.0 | 120 | 29.2 |
| | 208 | 16.8 |
| | 240 | 14.6 |
| | 277 | 12.6 |
| | 480 | 7.3 |



| KW | Output Voltage | Max Output Amps |
|-------|----------------|-----------------|
| 0.35 | 120 | 2.9 |
| | 277 | 1.3 |
| | 480 | 0.7 |
| | 120/240* | 2.9/1.5 |
| | 120/277* | 2.9/1.3 |
| 0.525 | 120 | 4.4 |
| | 277 | 1.9 |
| | 480 | 1.1 |
| | 120/240* | 4.4/2.2 |
| | 120/277* | 4.4/1.9 |
| 0.7 | 120 | 5.8 |
| | 277 | 2.5 |
| | 480 | 1.5 |
| | 120/240* | 5.8/2.9 |
| | 120/277* | 5.8/2.5 |
| 0.875 | 120 | 7.3 |
| | 277 | 3.2 |
| | 480 | 1.8 |
| | 120/240* | 7.3/3.6 |
| | 120/277* | 7.3/3.2 |
| 1.05 | 120 | 8.8 |
| | 277 | 3.8 |
| | 480 | 2.2 |
| | 120/240* | 8.8/4.4 |
| | 120/277* | 8.8/3.8 |
| 1.4 | 120 | 11.7 |
| | 277 | 5.1 |
| | 480 | 2.9 |
| | 120/240* | 11.7/5.8 |
| | 120/277* | 11.7/5.1 |
| 2.0 | 120 | 16.7 |
| | 277 | 7.2 |
| | 480 | 4.2 |
| | 120/240* | 16.7/8.3 |
| | 120/277* | 16.7/7.2 |

* Consult Factory for other wattages