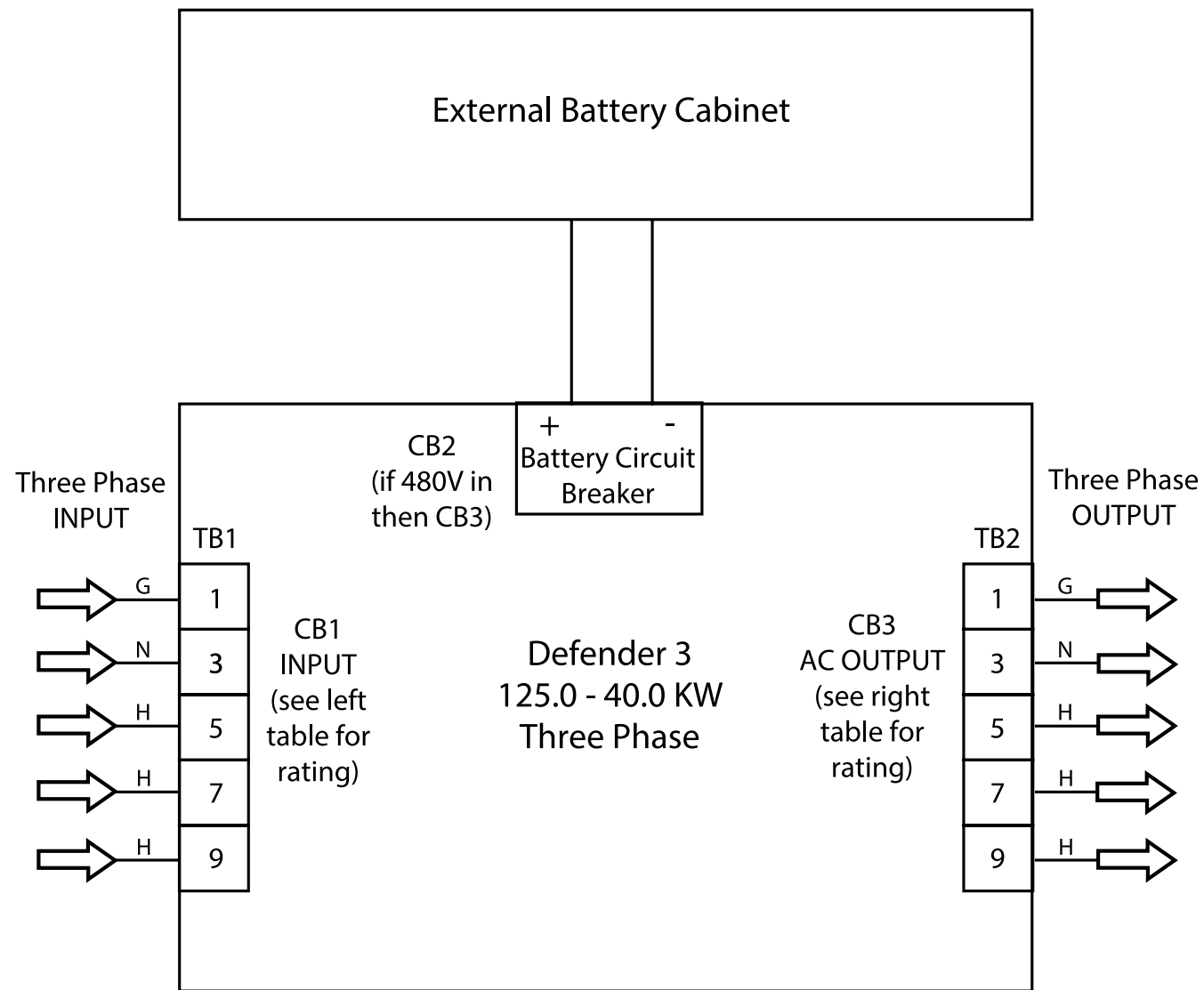


All Systems Interconnect Cables to be supplied by others

KW	Input Voltage	Utility Feed Amps
40.0	208Y/120	194.5
	480Y/277	84.3
	208	194.5
	480	84.3
50.0	208Y/120	242
	480Y/277	105
	208	242
	480	105
60.0	208Y/120	291.8
	480Y/277	126.4
	208	291.8
	480	126.4
80.0	208Y/120	389.1
	480Y/277	168.6
	208	389.1
	480	168.6
100.0	208Y/120	486.3
	480Y/277	210.7
	208	486.3
	480	210.7
125.0	208Y/120	607.9
	480Y/277	263.4
	208	607.9
	480	263.4



KW	Output Voltage	Max Output Amps
40.0	208Y/120	111.2
	480Y/277	48.2
50.0	208Y/120	139
	480Y/277	60
60.0	208Y/120	166.7
	480Y/277	72.3
80.0	208Y/120	222.3
	480Y/277	96.3
100.0	208Y/120	277.9
	480Y/277	120.4
125.0	208Y/120	347.4
	480Y/277	150.5