



STAND-BY ETERNALIGHT PLUS

SPECIFICATIONS

- The Stand-By Eternalight Plus maintains efficient AC Emergency Power to operate all emergency lighting fixtures at “full-light” output, after the transfer is complete, providing superior dependability and security to commercial/industrial environments in a small footprint.

POWER RATING

- Provides overload, surge and undercurrent protection using DSP/PWM technology and DSPM Watchdog Software to protect system performance and reliability.
- Transfer in 16msec - 60msec

DIAGNOSTICS AND MAINTENANCE

- DSP/PWM technology and DSPM Watchdog Software provides complete self diagnostic capabilities and LED Monitoring
- Informative advanced Display and Alarms keep you in control of your emergency lighting environment 24/7
- Automatically performs periodic self-tests ensuring a safely lighted environment prior to an emergency
- Single point of testing instead of multiple testing points with battery packs

INPUT

- 120V, 208V, 240V, 277V or 480V input 60Hz

OUTPUT

- 120V, 277V, 480V, 120/240 or 120/277VAC output 60Hz.
- Stand-by design is ≥99% efficient at 100% linear load

BATTERIES

- Sealed, maintenance-free, lead calcium (AGM) batteries.
- 10-Year prorated warranty.
- DSP/PWM Smart Battery Monitoring System is TEMPERATURE COMPENSATED maintaining maximum run-time and battery life.
- Microprocessor controlled recharge and DSP/PWM over-charge protection standard.

CODES

- UL 924, UL 1778, meets NFPA 101, NFPA 70, NEC and OSHA standards
- Cities of Chicago and New York approved
- Complies with the Buy American Act

INSTALLATION

- Modular design and small footprint allow easy installation in electrical closet or other convenient locations
- Phone assisted factory start-up standard for all systems
- Extended warranty available

LAMPS AND LOADS

- Emergency power provides FULL LIGHT OUTPUT from all lamps and fixtures for the entire runtime
- Operates fluorescent, compact fluorescent, incandescent, quartz, LED and other lamp types
- Standard or electronic ballasts, dimming devices or panels, sensors and most control equipment
- Standard or LED Exits and other safety equipment

WARRANTY

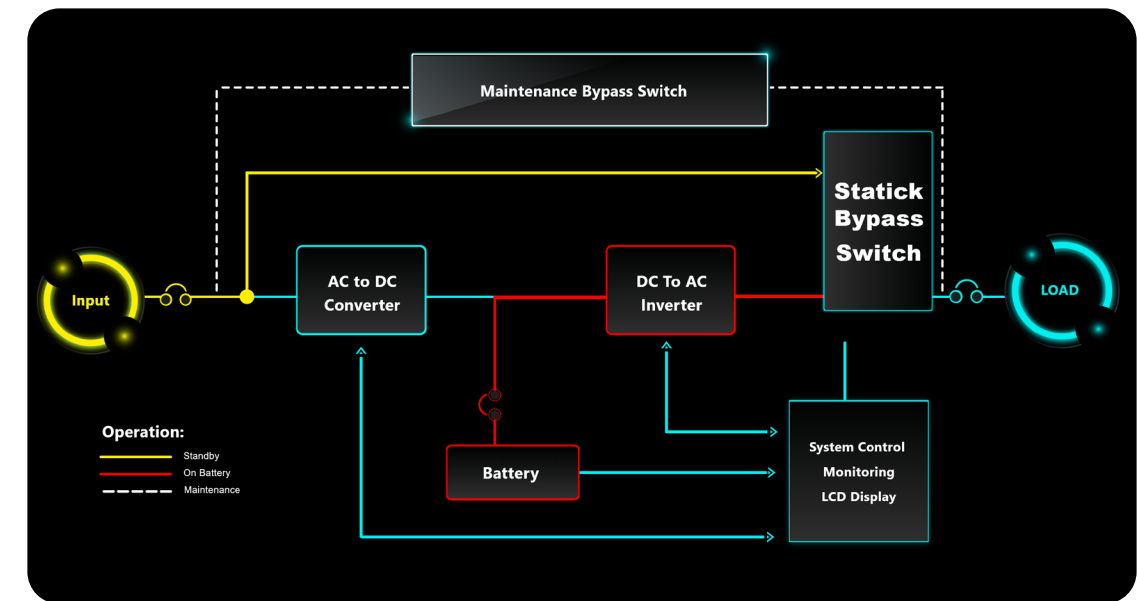
- 1-Year full warranty on system electronics
- Battery warranty 1-year with 9-years pro-rated
- System 1-year on-site warranty labor with DSPM phone assisted start-up
- 5-Year powertrain warranty
- Maintenance contracts available

SPECIAL APPLICATIONS

- DSPM offers numerous UL924 optional devices to meet unusual or difficult application parameters
- ECM - Environmental Circuit Module allows fixtures and lamps on the emergency circuit(s) to be operated by normal switching and/or dimming devices in NON-emergency conditions
- Dimming Panel Interface allows use with emergency lights controlled by common dimmer panel



2.4 KW - 4.2 KW
Single Phase
Stand-By
Emergency
Lighting and
Power
Systems



ELECTRICAL SPECIFICATIONS

Input Voltage Range	+10% , -15%
Output Voltage Regulation	±3% for all loads and battery discharge mode
Output Frequency Range	60 Hz, ±1%
Output Wave Form	Sine-wave <5% @ 100% linear load
Crest Factor	2.5:1 typical
Input Protection	Input Main Circuit Breaker
Output Protection	Output Main Circuit Breaker
Surge Protection	The unit will protect itself and the load against surges as defined in ANSI/IEEE C62.45 category A and B
Efficiency	≥99% at 100% linear load
Audible Noise	<45dB measured on Response Curve "A"
Operating Temperature	0° to 40°C (32° to 104°F)
Storage Temperature	-20° to 60°C (-4° to 140°F)
Humidity	5 - 95%, Non-condensing

Eternalight Plus Series	Power Ratings	UPS			Weight	British Thermal Unit	Battery Type	Voltage (VAC)		Output Protection	Safety Approvals
		Cabinet Dimentions						Input	Output		
SEPLUS	kVA/KW	W	H	D	(lbs)	BTU's	Sealed, Maintenance free (AGM) lead calcium	Select 120, 208, 240, 277 or 480	Select 120, 277, 480, 120/240 or 120/277	Input and output circuit breakers standard	UL924 UL1778 NFPA 101 NFPA 70 NEC
	2.4	26"	44"	26"	700	81.6					
	2.6	26"	44"	26"	700	88.4					
	3	26"	44"	26"	800	102					
	3.4	26"	44"	26"	800	115.6					
	3.8	26"	44"	26"	800	129.2					
4.2	26"	44"	26"	920	142.8						

The Stand-By Eternalight Plus provides the simplicity and reliability that is critical when providing an alternative source of power to any environment. Easy installation ..."simplicity"...connect the Plus to the emergency circuit(s) and everything is backed up..."reliability"...during a power outage. All lighting connected to the Plus will simply continue to operate at "full light output" once the transfer is complete. DSPM Watchdog® software keeps your environment safe while self-diagnostics help maintain equipment to a high standard. Superior surge suppression assures the highest quality of power being delivered to all loads, all the time.

We sincerely hope you never experience a real emergency, but if you do, you deserve the security, safety and peace of mind that the Stand-By Eternalight Plus from DSPM ensures.

ORDERING INFORMATION

Choose the bold face catalog nomenclature that best suites your needs.

Write them on the appropriate line. Order accessories as separate catalog number.

Example:

SEPLUS - 4.2 - 277/277 - ECM277/3 OCB/277/3/20/1 - 90

Description of example:

(4.2 KW, 277 Voltage In, 277 Voltage Out, 3 277V Environmental Control Modules, 3 Output 277 Voltage Circuit Breakers at 20amps, 2 pole, 90 minute run time)

FAMILY	POWER RATING	VOLTAGE ¹		OPTIONS	TIME ³
	<u>KW</u>	<u>Input/Output</u>	<u>Input/Output</u>	ECM120 - 120V Environmental control module ² /qty	<u>Minutes</u>
	2.4	120/120	240/120-240	ECM277 - 277V Environmental control module ² /qty	5
	2.6	120/277	240/120-277	NOF - Normally OFF output circuit/voltage / qty/pole	10
	3.0	120/480	277/120	NOH - Normally OFF "Hold ON"/voltage/qty/pole	15
	3.4	120/120-240	277/277	OCB - Output circuit breakers / voltage / quantity/amps/pole	20
	3.8	120/120-277	277/480	EPO - Emergency power off	25
	4.2	208/120	277/120-240	RSSP - Remote Indicator Panel	30
		208/277	277/120-277	SNMP - SNMP Card	45
		208/480	480/120	FC - Form C Contacts	60
		208/120-240	480/277	SRB - Seismic rated bracket	90 (Standard)
		208/120-277	480/480	STU1 - Onsite start-up	120
		240/120	480/120-240	IDB - Internal dimmer bypass	180
		240/277	480/120-277	EMB - External maintenance bypass switch	240
		240/480		EW - Extended warranty	

NOTES:

1-Consult factory for other voltage requirements. Special voltages may effect the weight, size and number of cabinets.

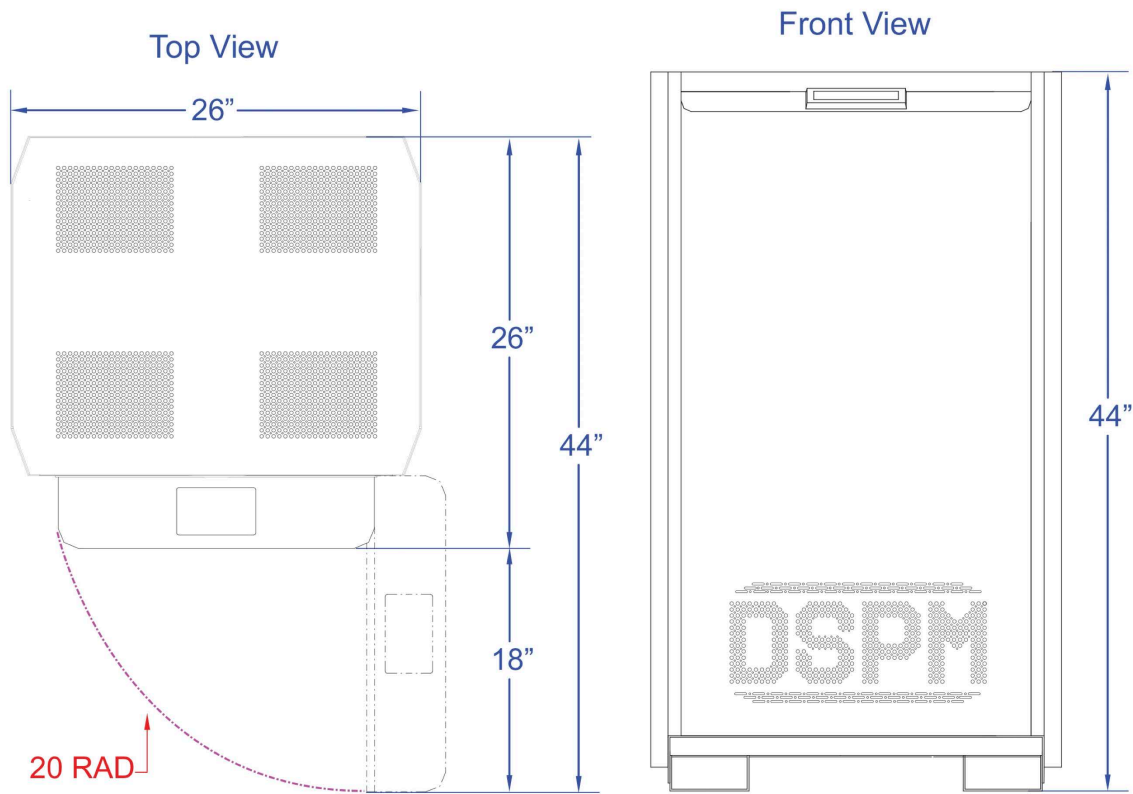
2-One ECM is used per switching device or circuit specifications subject to change without notice.



439 S. Stoddard Avenue San Bernardino, CA 92401

Ph: 1.877.DSPM POWER 1.877.377.6769 Fax: 909.930.3335

ELECTRICAL SPECIFICATIONS



Per code requirements please leave 3” on each side of the cabinet including the back, and a 3 foot clearance in front.

Notice: This drawing contains confidential and proprietary data originated. All design, manufacturing, reproduction, use and sale rights are expressly reserved. The recipient agrees by accepting this document, not to supply or disclose and information regarding it to any unauthorized person, or to incorporate this data into any other design or use thereof. All patent rights are expressly reserved.