

ETERNALIGHT 3

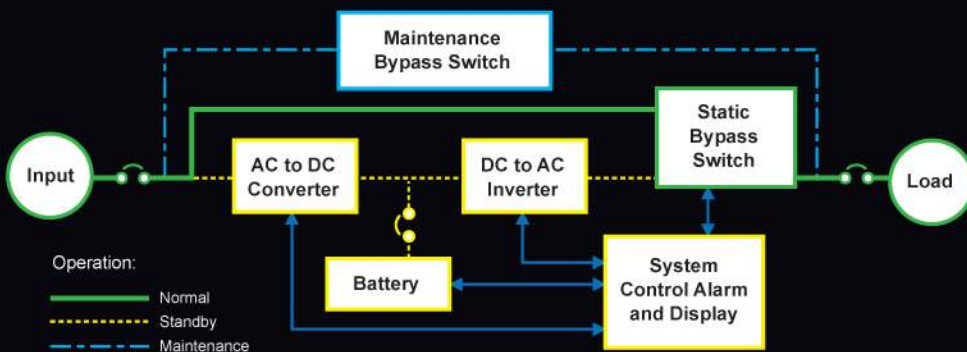
STAND-BY EMERGENCY LIGHTING INVERTER

KEEP THE LIGHTS "ON" WHEN YOU NEED THEM THE MOST

THREE PHASE 3 KW - 125 KW

Defends your environment against unwanted power outage and electrical disturbances by providing:

- DSPM Watchdog software always on guard.
- Display monitor keeps you in control 24/7.
- Dependable DSP/PWM technology for unsurpassed reliability.
- Economical for the lowest overall cost for your light safety with an Energy Star Rating.
- Temperature compensating technology that controls batteries for the longest battery life.
- Sealed maintenance-free batteries.
- Full light output for entire 90 minutes.
- Self-diagnostics for a safe and secure lighted environment.
- Pure sine wave output for all types of lamps.
- ECM module is a patented technology used by DSPM.
- Backup solutions for multiple applications such as: indoor and outdoor emergency lighting, exits, cash registers, computers, strategic electronics, and more!
- 10 Year pro-rated battery warranty.
- 5 Year power train warranty.
- Listed to UL9924, UL1778, and UL508.
- Cities of Chicago and New York approved.
- Complies with the Buy American Act.



DSPM INC.
DIGITAL SIGNAL POWER MANUFACTURER
www.dspmanufacturing.com

1921 S. Quaker Ridge Place
Ontario, CA 91761
1.877.DSPM POWER
1.877.377.6769
Fax: 909.930.3335



ETERNALIGHT 3

STAND-BY EMERGENCY LIGHTING INVERTER

KEEP THE LIGHTS "ON" WHEN YOU NEED THEM THE MOST

THREE PHASE 3 KW - 125 KW



- ** 3.0, 4.5, 6.0, 8.0, 10.0, 12.0, 16.0, 20.0.....Standard Power Levels *
- 24.0, 30.0, 40.0, 50.0, 60.0, 80.0, 100.0, and 125.0 KW
- 208Y/120, 480Y/277, 208, or 480 VAC.....Input Voltage *
- +10%, -15%.....Input Voltage Range *
- 208Y/120 or 480Y/277 VAC.....Output Voltage *
- ±3% for all loads and battery discharge.....Output Voltage Regulation *
- 60Hz, ±1%.....Output Frequency Range
- Sine-wave <5% @ 100% linear load.....Output Wave Form
- 2.5:1 typical.....Crest Factor
- Input Main Circuit Breaker.....Input Protection
- Output Main Circuit Breaker.....Output Protection
- The unit will protect itself and the load.....Surge Protection
- against surges defined in
- ANSI/IEEE C62.45 category A and B
- Sealed maintenance-free (AGM) lead calcium.....Battery
- Conforms to UL924 standards.....Recharge Current
- Provision for hardware connection of.....External Battery
- external battery cabinets or DC source
- ≥92% at 100% linear load.....Efficiency
- <45dB measured on Response Curve "A".....Audible Noise
- UL924 and UL1778.....ETL Listed
- 0° to 40°C (32° to 104°F).....Operating Temperature
- 20° to 60°C (-4° to 140° F).....Storage Temperature
- 5 - 95%, Non-condensing.....Humidity

*Consult factory for others.

**No line to line loads for 3.0 - 6.0 KW units.

Specifications subject to change without notice.

Options:

- ECM - Environmental Control Module
- NOF - Normally OFF Circuit
- NOH - Normally OFF "Hold On"
- OCB - Output Circuit Breker(s)
- EPO - Emergency Power Off
- RSSP - Remote Indicator Panel
- SNMP - SNMP Card
- FC - Form C Contacts
- SRB - Seismic-Rated Bracket
- STU3 - Onsite Startup
- IDB - Internal Dimmer Bypass
- EMB - External Maintenance Bypass
- EW - Extended Warranty

Eternalight 3 Series	Power Rating	UPS			Battery			Weight (combined)	
		Cabinet Dimensions			Cabinet Dimensions				
	KVA/KW	W	H	D	No.	W	H	D	(lbs)
SE3 (Consult factory for others)	3	42"	71"	22.5"		not required			980
	4.5	42"	71"	22.5"		not required			1100
	6	42"	71"	22.5"		not required			1350
	8	42"	71"	22.5"	1	42"	71"	22.5"	1700
	10	42"	71"	22.5"	1	42"	71"	22.5"	2250
	12	42"	71"	22.5"	1	42"	71"	22.5"	2700
	16	42"	71"	22.5"	1	42"	71"	22.5"	2950
	20	42"	71"	22.5"	1	42"	71"	22.5"	3800
	24	42"	71"	22.5"	2	42"	71"	22.5"	4350
	30	42"	71"	22.5"	2	42"	71"	22.5"	5150
	40	42"	71"	22.5"	3	42"	71"	22.5"	6790
	50	42"	71"	22.5"	4	42"	71"	22.5"	8384
	60	50"	71"	32"		Consult Factory			
	80	50"	71"	32"		Consult Factory			
	100	50"	71"	32"		Consult Factory			
125	50"	71"	32"		Consult Factory				



Represented By:

1921 S. Quaker Ridge Place
Ontario, CA 91761
1.877.DSPM POWER
1.877.377.6769
Fax: 909.930.3335