

ETERNALIGHT 1

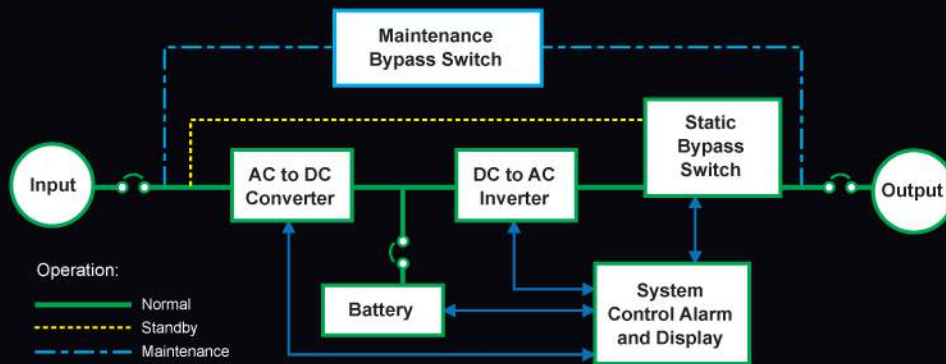
ONLINE OUTDOOR EMERGENCY LIGHTING INVERTER

KEEP THE LIGHTS "ON" WHEN YOU NEED THEM THE MOST

SINGLE PHASE 75 W - 21 KW

Defends your environment against unwanted power outage and electrical disturbances by providing:

- DSPM Watchdog software always on guard.
- Display monitor keeps you in control 24/7.
- Dependable DSP/PWM technology for unsurpassed reliability.
- Economical for the lowest overall cost for your light safety with an Energy Star Rating.
- Temperature compensating technology that controls batteries for the longest battery life.
- Sealed maintenance-free batteries.
- Full light output for entire 90 minutes.
- Self-diagnostics for a safe and secure lighted environment.
- Pure sine wave output for all types of lamps.
- ECM module is a patented technology used by DSPM.
- Backup solutions for multiple applications such as: indoor and outdoor emergency lighting, exits, cash registers, computers, strategic electronics, and more!
- 10 Year pro-rated battery warranty.
- 5 Year power train warranty.
- Listed to UL924, UL1778, and UL508.
- Cities of Chicago and New York approved.
- Complies with the Buy American Act.



DSPM inc.
DIGITAL SIGNAL POWER MANUFACTURER
www.dspmanufacturing.com

1921 S. Quaker Ridge Place
Ontario, CA 91761
1.877.DSPM POWER
1.877.377.6769
Fax: 909.930.3335



ETERNALIGHT 1

ONLINE OUTDOOR EMERGENCY LIGHTING INVERTER

KEEP THE LIGHTS "ON" WHEN YOU NEED THEM THE MOST

SINGLE PHASE 75 W - 21 KW



0.075, 0.1, 0.125, 0.2, 0.3, 0.35, 0.525, 0.7, 0.875, 1.05, 1.4, 2.0, 2.4, 2.6.....Standard Power Levels
 3.0, 3.4, 3.8, 4.2, 4.7, 5.25, 7.0, 8.0, 10.0, 12.0, 14.0, 18.0, and 21.0 KW
 120, 208, 240, 277 or 480 VAC.....Input Voltage*
 +10% -15%.....Input Voltage Range*
 120, 277, 480, 120/240 or 120/277 VAC.....Output Voltage*
 ±3% for all loads and battery discharge mode.....Output Voltage Regulation*
 60 Hz, ±1%.....Output Frequency Range*
 Sine-wave <5% @ 100% linear load.....Output Wave Form*
 2.5:1 typical.....Crest Factor*
 Input Main Circuit Breaker.....Input Protection*
 Output Main Circuit Breaker.....Output Protection*
 The unit will protect itself and the load.....Surge Protection*
 against surges as defined in
 ANSI/IEEE C62.45 Category A and B
 Sealed maintenance-free (AGM) lead calcium.....Battery*
 Conforms to UL924 standards.....Recharge Current*
 Provision for hardware connection of.....External Battery*
 external battery cabinets or DC source
 ≥92% at 100% linear load.....Efficiency*
 <45dB measured on Response Curve "A".....Audible Noise*
 UL924 and UL1778.....ETL Listed**
 -20° to 50°C (-4° to 122°F).....Operating Temperature*
 -20° to 60°C (-4° to 140°F).....Storage Temperature*
 5 - 100%, Non-condensing.....Humidity*
 NEMA 3R.....Cabinet

*Consult factory for others.

**Safety agency evaluated for indoor operation.

Specifications subject to change without notice.

Options:

ECM - Environmental Control Module
 NOF - Normally OFF Circuit
 NOH - Normally OFF "Hold On"
 OCB - Output Circuit Breker(s)
 EPO - Emergency Power Off
 RSSP - Remote Indicator Panel
 SNMP - SNMP Card
 FC - Form C Contacts
 SRB - Seismic-Rated Bracket
 STU1 - Onsite Startup
 IDB - Internal Dimmer Bypass
 EMB - External Maintenance Bypass
 HE - Heat Exchanger
 HTR - Heater
 EW - Extended Warranty

Eternalight Outdoor 1	Power Rating	UPS			Battery			Weight (com- bined)
		Cabinet Dimensions			Cabinet Dimensions			
	KVA/KW	W	H	D	W	H	D	(lbs)
OTE1 (Consult factory for others)	0.35	41"	52"	36"	not required			150
	0.70	41"	52"	36"	not required			640
	1.05	41"	52"	36"	not required			710
	2.0	41"	52"	36"	not required			870
	2.6	41"	52"	36"	not required			930
	3.4	41"	52"	36"	not required			1030
	4.2	41"	52"	36"	not required			1150
	4.7	41"	52"	36"	not required			1630
	5.25	41"	52"	36"	not required			1630
	7.0	41"	73"	36"	not required			1880
	8.0	41"	73"	36"	not required			1880
	10.0	41"	73"	36"	not required			2250
	12.0	41"	73"	36"	not required			2640
	14.0	41"	73"	36"	41"	52"	36"	2945
	18.0	41"	73"	36"	41"	52"	36"	4145
21.0	41"	73"	36"	41"	52"	36"	4555	

Please see data sheet (cut sheet) for weight and dimensions for all power ratings.

Represented by:



1921 S. Quaker Ridge Place
 Ontario, CA 91761
 1.877.DSPM POWER
 1.877.377.6769
 Fax: 909.930.3335