

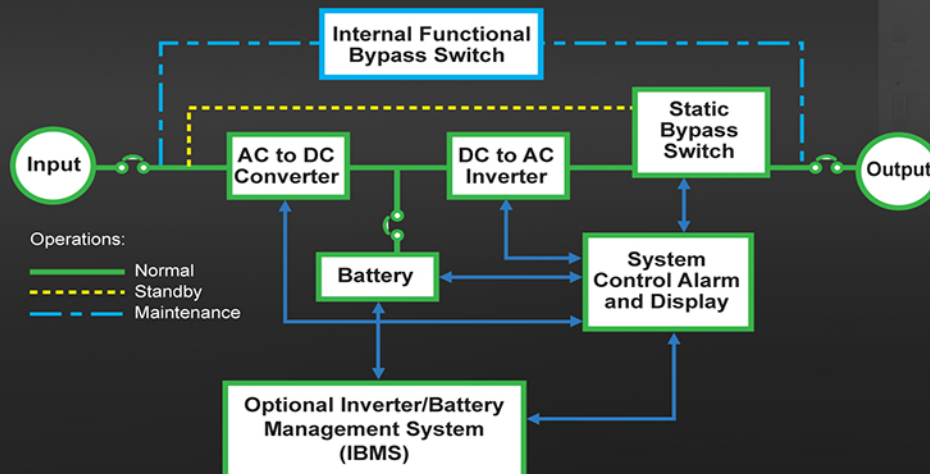
# ETERNALIGHT 3

## ONLINE OUTDOOR EMERGENCY LIGHTING INVERTER

KEEP THE LIGHTS "ON" WHEN YOU NEED THEM THE MOST  
**THREE PHASE 3 KW - 30 KW**

Defends your environment against unwanted power outage and electrical disturbances by providing:

- DSPM Watchdog software always on guard.
- Display monitor keeps you in control 24/7.
- Dependable DSP/PWM technology for unsurpassed reliability.
- Economical for the lowest overall cost for your light safety with an Energy Star Rating.
- Temperature compensating technology that controls batteries for the longest battery life.
- Sealed maintenance-free batteries.
- Full light output for entire 90 minutes.
- Self-diagnostics for a safe and secure lighted environment.
- Pure sine wave output for all types of lamps.
- ECM module is a patented technology used by DSPM.
- Backup solutions for multiple applications such as: indoor and outdoor emergency lighting, exits, cash registers, computers, strategic electronics, and more!
- 10 Year pro-rated battery warranty.
- 5 Year power train warranty.
- Listed to UL924, UL1778, and UL508.
- Cities of Chicago and New York approved.
- Complies with the Buy American Act.



**DSPM** INC.  
DIGITAL SIGNAL POWER MANUFACTURER  
www.dspmanufacturing.com

439 S. Stoddard Avenue  
San Bernardino, CA 92401  
1.877.DSPM POWER  
1.877.377.6769  
Fax: 909.930.3335



# ETERNALIGHT 3

## ONLINE OUTDOOR EMERGENCY LIGHTING INVERTER

KEEP THE LIGHTS "ON" WHEN YOU NEED THEM THE MOST

### THREE PHASE 3 KW - 30 KW



- 3.0, 4.5, 6.0, 8.0, 10.0, 12.0, 16.0, 20.0, 24.0, 30.0 KW.....Standard Power Levels \*
- 120, 208, 240, 277 or 480 VAC.....Input Voltage \*
- +10% - 15%.....Input Voltage Range \*
- 120, 277, 480, 120/240 or 120/277 VAC.....Output Voltage \*
- ±3% for all loads and battery discharge mode.....Output Voltage Regulation \*
- 60 Hz, ±1%.....Output Frequency Range \*
- Sine-wave <5% @ 100% linear load.....Output Wave Form \*
- 2.5:1 typical.....Crest Factor
- Input Main Circuit Breaker.....Input Protection
- Output Main Circuit Breaker.....Output Protection
- The unit will protect itself and the load.....Surge Protection
- against surges as defined in
- ANSI/IEEE C62.45 Category A and B
- Sealed maintenance-free (AGM) lead calcium.....Battery
- Conforms to UL924 standards.....Recharge Current
- Provision for hardware connection of.....External Battery
- external battery cabinets or DC source
- ≥92% at 100% linear load.....Efficiency
- <45dB measured on Response Curve "A" .....Audible Noise
- UL924 and UL1778.....ETL Listed \*\*\*
- 20° to 50°C (-4° to 122°F).....Operating Temperature
- 20° to 60°C (-4° to 140°F).....Storage Temperature
- 5 - 100%, Non-condensing.....Humidity
- NEMA 3R.....Cabinet

\* Consult factory for others.

\*\* No line to line loads for 3.0 - 6.0 KW units.

\*\*\* Safety agency evaluated for indoor operation.

Specifications subject to change without notice.

#### Options:

- ECM - Environmental Control Module
- NOF - Normally OFF Circuit
- NOH - Normally OFF "Hold On"
- OCB - Output Circuit Breker(s)
- EPO - Emergency Power Off
- RSSP - Remote Indicator Panel
- SNMP - SNMP Card
- FC - Form C Contacts
- STU1 - Onsite Startup
- IDB - Internal Dimmer Bypass
- EMB - External Maintenance Bypass
- HE - Heat Exchanger
- HTR - Heater
- EW - Extended Warranty

Eternalight Outdoor 3	Power Rating	UPS			Battery			Weight (com- bined)	
		Cabinet Dimensions			Cabinet Dimensions				
OT3 (Consult factory for other capabilities)	KVA/KW	W	H	D	No.	W	H	D	(lbs)
	3	41"	52"	36"	not required			1480	
	4.5	41"	52"	36"	not required			1600	
	6	41"	52"	36"	not required			1850	
	8	41"	52"	36"	not required			2200	
	10	41"	52"	36"	not required			2750	
	12	41"	52"	36"	1	41"	52"	36"	3200
	16	41"	52"	36"	1	41"	52"	36"	3450
	20	41"	52"	36"	1	41"	52"	36"	4300
	24	41"	52"	36"	2	41"	52"	36"	5050
30	41"	52"	36"	2	41"	52"	36"	5900	

Please see data sheet (cut sheet) for weight and dimensions for all power ratings.



439 S. Stoddard Avenue  
San Bernardino, CA 92401  
1.877.DSPM POWER  
1.877.377.6769  
Fax: 909.930.3335

Represented by: