

ETERNALIGHT 1

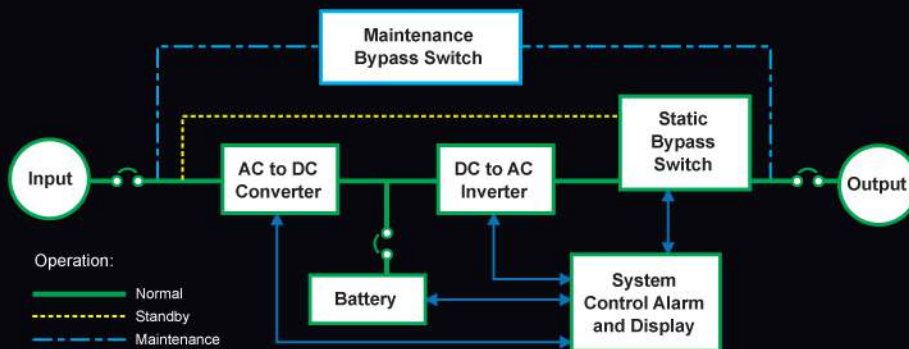
ONLINE EMERGENCY LIGHTING INVERTER

KEEP THE LIGHTS "ON" WHEN YOU NEED THEM THE MOST

SINGLE PHASE 4.7 KW - 21 KW

Defends your environment against unwanted power outage and electrical disturbances by providing:

- DSPM Watchdog software always on guard.
- Display monitor keeps you in control 24/7.
- Dependable DSP/PWM technology for unsurpassed reliability.
- Economical for the lowest overall cost for your light safety with an Energy Star Rating.
- Temperature compensating technology that controls batteries for the longest battery life.
- Sealed maintenance-free batteries.
- Full light output for entire 90 minutes.
- Self-diagnostics for a safe and secure lighted environment.
- Pure sine wave output for all types of lamps.
- ECM module is a patented technology used by DSPM.
- Backup solutions for multiple applications such as: indoor and outdoor emergency lighting, exits, cash registers, computers, strategic electronics, and more!
- 10 Year pro-rated battery warranty.
- 5 Year power train warranty.
- Listed to UL924, UL1778, and UL508.
- Cities of Chicago and New York approved.
- Complies with the Buy American Act.



DSPM inc.
DIGITAL SIGNAL POWER MANUFACTURER
www.dspmanufacturing.com

1921 S. Quaker Ridge Place
Ontario, CA 91761
1.877.DSPM POWER
1.877.377.6769
Fax: 909.930.3335



ETERNALIGHT 1

ONLINE EMERGENCY LIGHTING INVERTER

KEEP THE LIGHTS "ON" WHEN YOU NEED THEM THE MOST

SINGLE PHASE 4.7 KW - 21 KW



- 4.7, 5.25, 7.0, 8.0, 10.0, 12.0, 14.0, 18.0, and 21.0 KW.....Standard Power Levels
- 120, 208, 240, 277 or 480 VAC.....Input Voltage
- +10% -15%.....Input Voltage Range
- 120, 277, 480, 120/240 or 120/277 VAC.....Output Voltage
- ±2% for all loads and battery discharge mode.....Output Voltage Regulation
- 60 Hz, ±1%.....Output Frequency Range
- Sine-wave <5% @ 100% linear load.....Output Wave Form
- 2.5:1 typical.....Crest Factor
- Input Main Circuit Breaker.....Input Protection
- Output Main Circuit Breaker.....Output Protection
- The unit will protect itself and the load.....Surge Protection
- against surges as defined in
- ANSI/IEEE C62.45 Category A and B
- Sealed maintenance-free (AGM) lead calcium.....Battery
- Conforms to UL924 standards.....Recharge Current
- Provision for hardware connection of.....External Battery
- external battery cabinets or DC source
- ≥92% at 100% linear load.....Efficiency
- <45dB measured on Response Curve "A".....Audible Noise
- UL924 and UL1778.....ETL Listed
- 0° to 40°C (32° to 104°F).....Operating Temperature
- 20° to 60°C (-4° to 140°F).....Storage Temperature
- 5 - 95%, Non-condensing.....Humidity

Options:

- ECM - Environmental Control Module
- NOF - Normally OFF Circuit
- NOH - Normally OFF "Hold On"
- OCB - Output Circuit Breker(s)
- EPO - Emergency Power Off
- RSSP - Remote Indicator Panel
- SNMP - SNMP Card
- FC - Form C Contacts
- SRB - Seismic-Rated Bracket
- STU1 - Onsite Startup
- IDB - Internal Dimmer Bypass
- EMB - External Maintenance Bypass
- EW - Extended Warranty

Specifications subject to change without notice.

Eternalight 1 Series	Power Rating	UPS			Battery			Weight (com- bined)
		Cabinet Dimensions			Cabinet Dimensions			
	KVA/KW	W	H	D	W	H	D	(lbs)
OE1 (Consult factory for others)	4.7	42"	71"	22.5"	not required			1200
	5.25	42"	71"	22.5"	not required			1200
	7.0	42"	71"	22.5"	not required			1450
	8.0	42"	71"	22.5"	not required			1450
	10.0	42"	71"	22.5"	not required			1820
	12.0	42"	71"	22.5"	not required			2210
	14.0	42"	71"	22.5"	not required			2550
	18.0	42"	71"	22.5"	42"	71"	22.5"	3750
	21.0	42"	71"	22.5"	42"	71"	22.5"	4375

DSPM inc.
DIGITAL SIGNAL POWER MANUFACTURER
www.dspmanufacturing.com

Represented By:

1921 S. Quaker Ridge Place
Ontario, CA 91761
1.877.DSPM POWER
1.877.377.6769
Fax: 909.930.3335