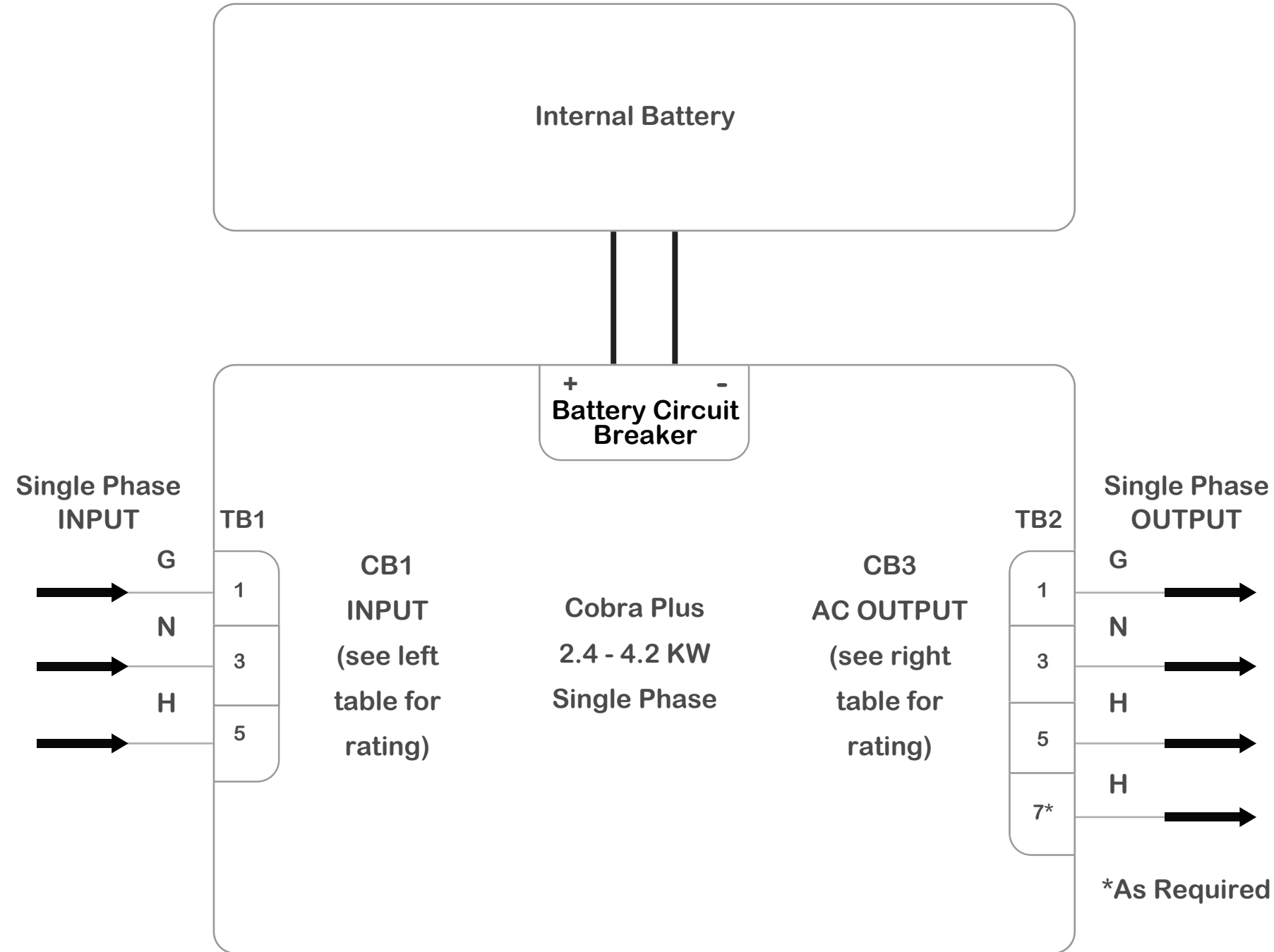


| Watts | Input Voltage | Utility Feed Amps |
|-------|---------------|-------------------|
| 2.4 | 120 | 35 |
| | 208 | 20.2 |
| | 240 | 17.5 |
| | 277 | 15.2 |
| | 480 | 8.8 |
| 2.6 | 120 | 38 |
| | 208 | 22 |
| | 240 | 19 |
| | 277 | 16.5 |
| | 480 | 9.5 |
| 3.0 | 120 | 43.8 |
| | 208 | 25.3 |
| | 240 | 22 |
| | 277 | 19 |
| | 480 | 10.9 |
| 3.4 | 120 | 49.6 |
| | 208 | 28.6 |
| | 240 | 24.8 |
| | 277 | 21.5 |
| | 480 | 12.4 |
| 3.8 | 120 | 55.4 |
| | 208 | 32 |
| | 240 | 27.7 |
| | 277 | 24 |
| | 480 | 13.9 |
| 4.2 | 120 | 61.3 |
| | 208 | 35.4 |
| | 240 | 30.7 |
| | 277 | 26.6 |
| | 480 | 15.3 |



| Watts | Input Voltage | Utility Feed Amps |
|-------|---------------|-------------------|
| 2.4 | 120 | 20 |
| | 277 | 8.7 |
| | 480 | 5 |
| | 120/240* | 20/10 |
| | 120/277* | 20/8.7 |
| 2.6 | 120 | 21.7 |
| | 277 | 9.4 |
| | 480 | 5.4 |
| | 120/240* | 21.7/10.8 |
| | 120/277* | 21.7/9.4 |
| 3.0 | 120 | 25 |
| | 277 | 10.8 |
| | 480 | 6.3 |
| | 120/240* | 25/12.5 |
| | 120/277* | 25/10.8 |
| 3.4 | 120 | 28.4 |
| | 277 | 12.3 |
| | 480 | 7.1 |
| | 120/240* | 28.4/14.2 |
| | 120/277* | 28.4/12.3 |
| 3.8 | 120 | 31.7 |
| | 277 | 13.7 |
| | 480 | 7.9 |
| | 120/240* | 31.7/15.9 |
| | 120/277* | 31.7/13.7 |
| 4.2 | 120 | 35 |
| | 277 | 15.2 |
| | 480 | 8.8 |
| | 120/240* | 35/17.5 |
| | 120/277* | 35/15.2 |

*As Required