

# OUTDOOR ETERNALIGHT 3

---

## SPECIFICATIONS

- The Outdoor Eternalight 3 maintains efficient AC Emergency Power to operate all emergency lighting fixtures at “full-light” output, providing superior dependability and security to commercial/industrial environments in an outdoor environment.

## POWER RATING

- 3 KW - 30 KW (or 3,000 Watts - 30,000 Watts) three phase output unit uses the latest DSP/PWM technology to provide the most advanced performance and reliability features

## DIAGNOSTICS AND MAINTENANCE

- DSP/PWM technology and DSPM Watchdog Software provides complete self diagnostic capabilities and LED Monitoring
- Informative advanced Display and Alarms keep you in control of your emergency lighting environment 24/7
- Automatically performs periodic self-tests ensuring a safely lighted environment prior to an emergency
- Single point of testing instead of multiple testing points with battery packs

## PROTECTION

- Provides overload, surge and undercurrent protection using DSP/PWM technology and DSPM Watchdog Software to protect system performance and reliability
- Surge protection against load surges as defined in ANSI/IEEE C62.45 category A and B

## INPUT

- 208Y/120, 480Y/277, 208 or 480VAC input 60Hz

## OUTPUT

- 208Y/120 or 480Y/277VAC True “on-line” design is ≥92% efficient at 100% linear load

## BATTERIES

- Sealed, maintenance-free, lead calcium (AGM) batteries
- 10-Year prorated warranty
- DSP/PWM Smart Battery Monitoring System is TEMPERATURE COMPENSATED maintaining maximum runtime and battery life
- Microprocessor controlled recharge and DSP/PWM overcharge protection standard

## LAMPS AND LOADS

- Emergency power provides FULL LIGHT OUTPUT from all lamps and fixtures for the entire runtime
- Operates fluorescent, compact fluorescent, incandescent, quartz, H.I.D., LED and other lamp types
- Standard or electronic ballasts, dimming devices or panels, sensors and most control equipment
- Standard or LED Exits and other safety equipment

## WARRANTY

- 1-Year full warranty on system electronics
- Battery warranty 1-year with 9-years pro-rated
- System 1-year on-site warranty labor with DSPM phone assisted start-up
- 5-Year powertrain warranty
- Maintenance contracts available

## CODES

- UL 924, UL 1778, meets NFPA 101, NFPA 70, NEC and OSHA standards
- Cities of Chicago and New York approved
- Complies with the Buy American Act

## INSTALLATION

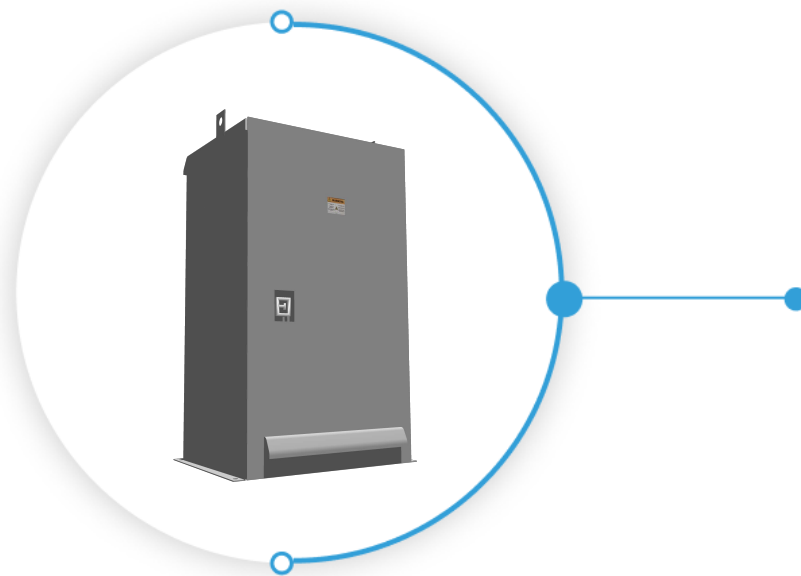
- Modular design and small footprint allow easy installation in electrical closet or other convenient locations
- Phone assisted factory start-up standard for all systems
- Extended warranty available

## SPECIAL APPLICATIONS

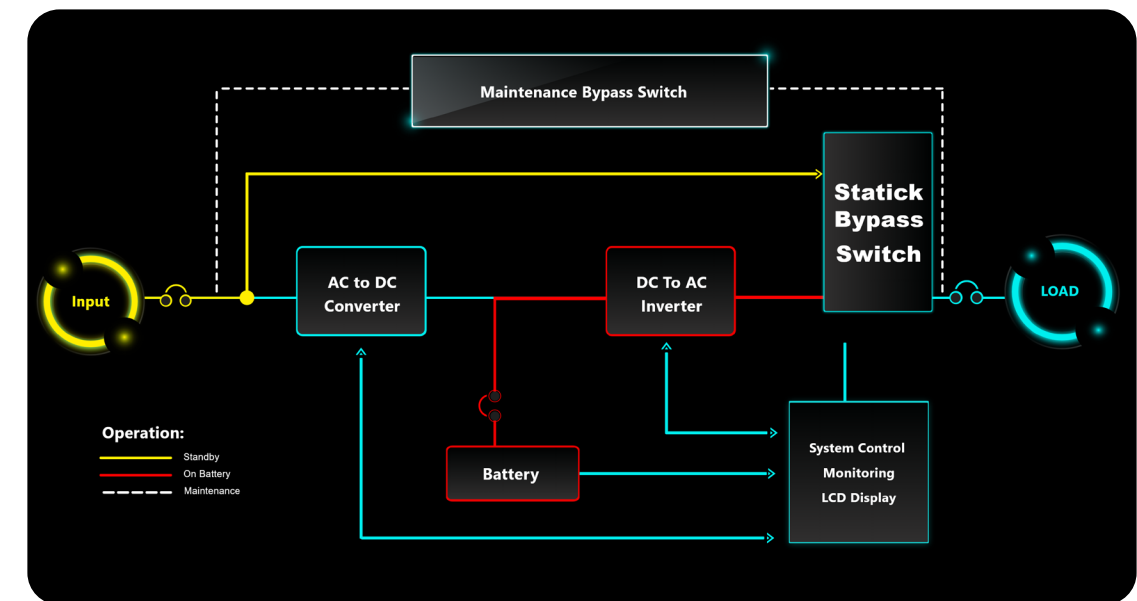
- DSPM offers numerous UL924 optional devices to meet unusual or difficult application parameters
- ECM - Environmental Circuit Module allows fixtures and lamps on the emergency circuit(s) to be operated by normal switching and/or dimming devices in NON-emergency conditions
- Dimming Panel Interface allows use with emergency lights controlled by common dimmer panel

## NEMA 3R CABINET

- Modular design enables flexible installation
- Forced air cooling for maximum reliability
- Systems up to 10 KW are self contained; larger systems require external battery cabinet(s)



3 KW - 30 KW  
Three Phase  
Uninterrupted  
Emergency  
Lighting and  
Power  
Systems



# ELECTRICAL SPECIFICATIONS

Input Voltage Range	+10% , -15%
Output Voltage Regulation	±3% for all loads and battery discharge mode
Output Frequency Range	60 Hz, ±1%
Output Wave Form	Sine-wave <5% @ 100% linear load
Crest Factor	2.5:1 typical
Input Protection	Input Main Circuit Breaker
Output Protection	Output Main Circuit Breaker
Surge Protection	The unit will protect itself and the load against surges as defined in ANSI/IEEE C62.45 category A and B
Efficiency	≥92% at 100% linear load
Audible Noise	<45dB measured on Response Curve "A"
Operating Temperature	-20° to 50°C (32° to 104°F)
Storage Temperature	-20° to 60°C (-4° to 140°F)
Humidity	5 - 100%, Non-condensing
Cabinet	NEMA 3R

Eternalight Outdoor 3	Power Ratings	UPS			Battery				Weight (Combined)	British Thermal Unit	Battery Type	Voltage (VAC)		Output Protection	Safety Approvals
		Cabinet Dimentions			Cabinet Dimentions							Input	Output		
OT3 (Consult factory for other capabilities)	KVA/Kw	W	H	D	No.	W	H	D	(lbs)	BTU s	Sealed, Maintenance free (AGM) lead calcium	Select 208Y/120VAC, 480Y/277VAC, 208 or 480VAC (Consult factory for others)	Input and output circuit breakers standard	UL924 UL1778 NFPA 101 NFPA 70 NEC	
	3	(41+4)"	(72+4)"	36"	not required				1480	816					
	4.5	(41+4)"	(72+4)"	36"	not required				1600	1224					
	6	(41+4)"	(72+4)"	36"	not required				1850	1632					
	8	(41+4)"	(72+4)"	36"	not required				2200	2176					
	10	(41+4)"	(72+4)"	36"	not required				2750	2720					
	12	(41+4)"	(72+4)"	36"	1	41+4"	48+4"	36"	3200	3264					
	16	(41+4)"	(72+4)"	36"	1	(41+4)"	(72+4)"	36"	3450	4352					
	20	(41+4)"	(72+4)"	36"	1	(41+4)"	(72+4)"	36"	4300	5440					
	24	(41+4)"	(72+4)"	36"	1	(41+4)"	(72+4)"	36"	5050	6528					
30	(41+4)"	(72+4)"	36"	2	(41+4)"	(72+4)"	36"	5900	8160						

We sincerely hope you never experience a real emergency, but if you do, you deserve the **security, safety** and **peace of mind** that the Outdoor Eternalight 3 from **DSPM** ensures.

## ORDERING INFORMATION

Choose the bold face catalog nomenclature that best suites your needs.

Write them on the appropriate line. Order accessories as separate catalog number.

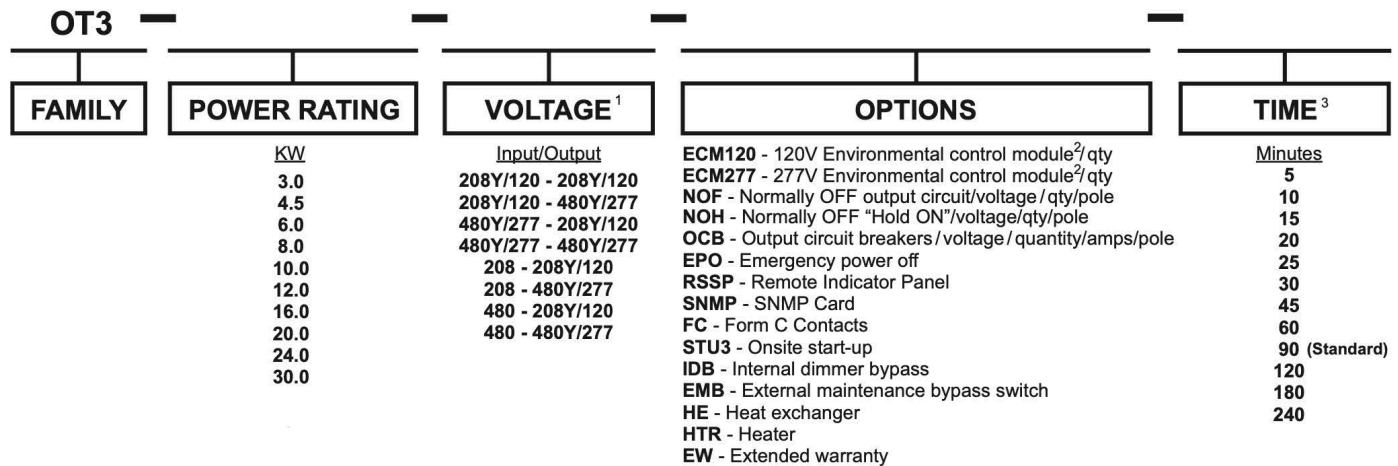
Example:

OT3 - 12.0 - 208Y/120 208Y/120- EMB OCB/120/3/20/1 - 180

Description of example:

(12.0 KW, 208Y/120 Voltage In, 208Y/120 Voltage Out, External Maintenance Bypass Switch, 3 Output 120 Voltage Circuit Breakers at 20amps,

2 pole, 180 minute run time)



## NOTES:

1-Consult factory for other voltage requirements. Special voltages

may effect the weight, size and number or cabinets.

2-One ECM is used per switching device or circuit.

3-Consult factory for other run times.

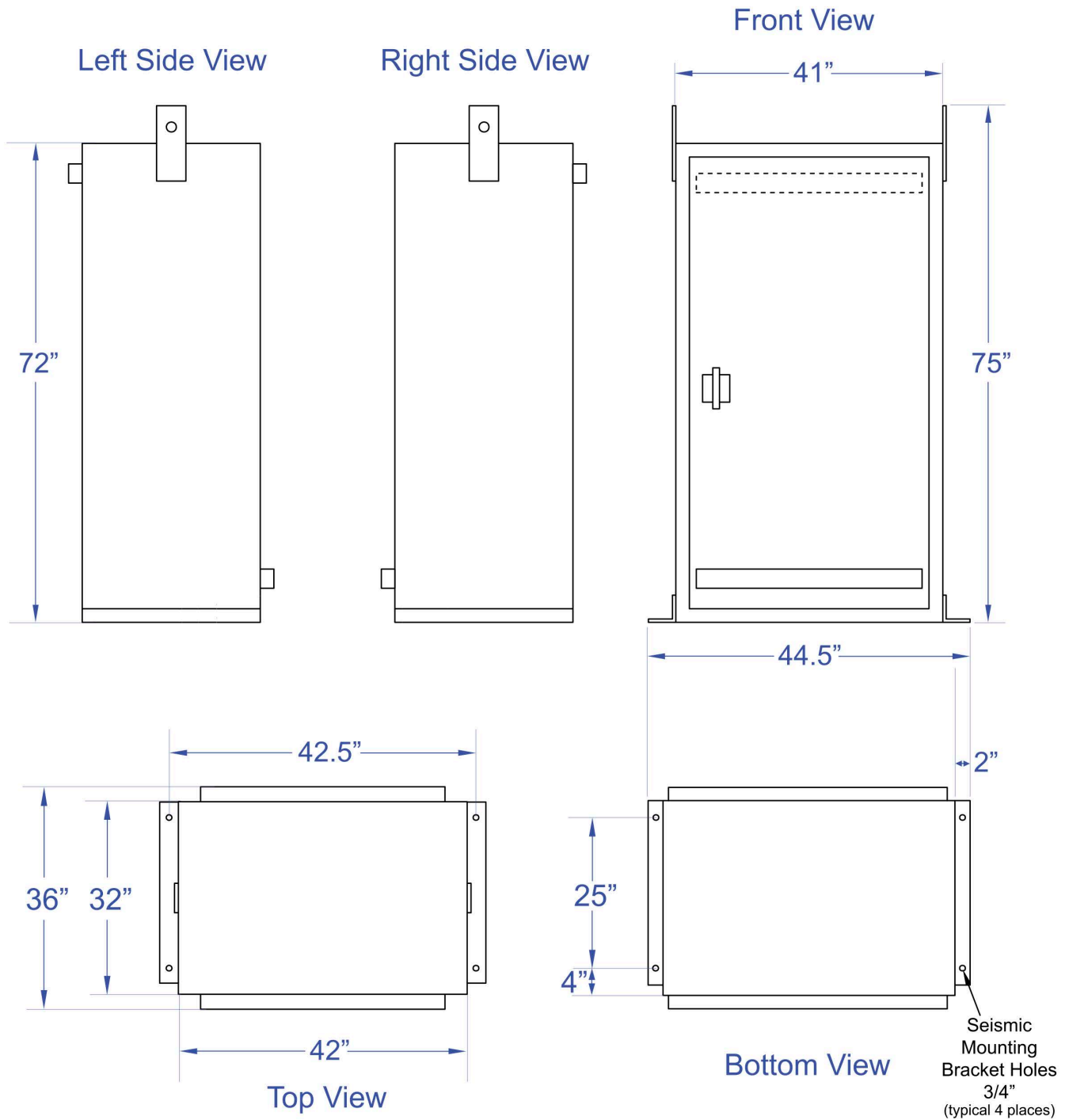
Specifications subject to change without notice.



439 S. Stoddard Avenue San Bernardino, CA 92401

Ph: 1.877.DSPM POWER 1.877.377.6769 Fax: 909.930.3335

# MECHANICAL FOOTPRINT



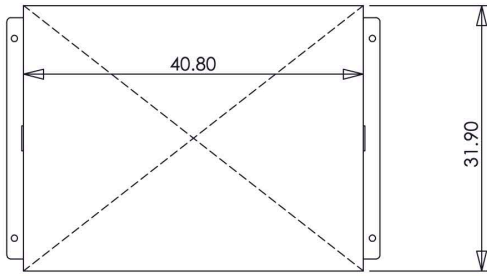
Per code requirements please leave 3" on each side of the cabinet including the back, and a 3 foot clearance in front.

\*Contact factory for further options.

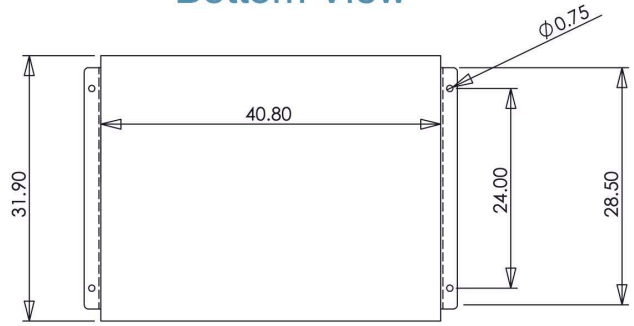
\*Contact factory for special conduit access arrangements

Notice: This drawing contains confidential and proprietary data originated. All design, manufacturing, reproduction, use and sale rights are expressly reserved. The recipient agrees by accepting this document, not to supply or disclose and information regarding it to any unauthorized person, or to incorporate this data into any other design or use thereof. All patent rights are expressly reserved.

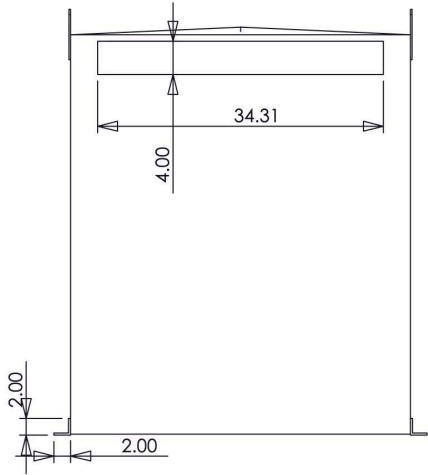
Top View



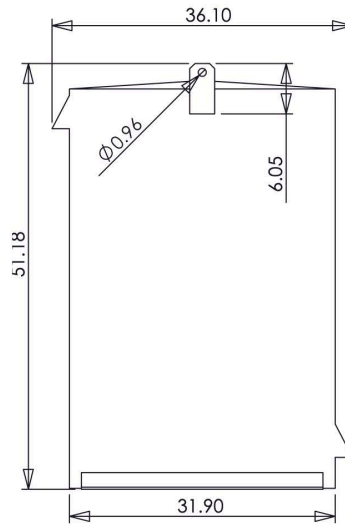
Bottom View



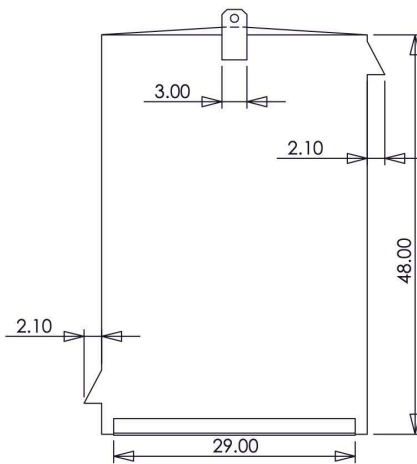
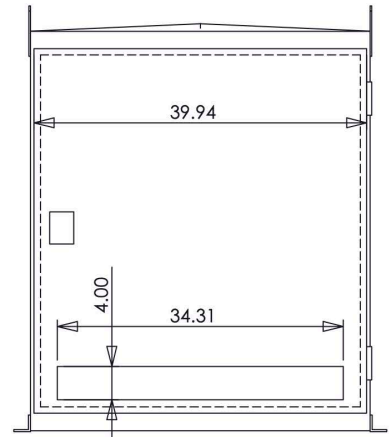
Back View



Side View



Front View



Side View