



# ONLINE ETERNALIGHT 1

---

## SPECIFICATIONS

- The Online Eternalight 1 maintains efficient AC Emergency Power to operate all emergency lighting fixtures at “full-light” output, providing superior dependability and security to commercial/industrial environments in a small footprint.

## POWER RATING

- 4.7 KW - 21 KW (or 4,700 Watts - 21,000 Watts) single phase output unit uses the latest DSP/PWM technology to provide the most advanced performance and reliability features.

## DIAGNOSTICS AND MAINTENANCE

- DSP/PWM technology and DSPM Watchdog Software provides complete self diagnostic capabilities and LED Monitoring
- Informative advanced Display and Alarms keep you in control of your emergency lighting environment 24/7
- Automatically performs periodic self-tests ensuring a safely lighted environment prior to an emergency
- Single point of testing instead of multiple testing points with battery packs

## INPUT

- 120V, 208V, 240V, 277V or 480V input 60Hz

## OUTPUT

- 120V, 240V, 277V, 480V, 120/240 or 120/277VAC

True “on-line” design is  $\geq 92\%$  efficient at 100% linear load

## BATTERIES

- Sealed, maintenance-free, lead calcium (AGM) batteries.
- 10-Year prorated warranty.
- DSP/PWM Smart Battery Monitoring System is TEMPERATURE COMPENSATED maintaining maximum run-time and battery life.
- Microprocessor controlled recharge and DSP/PWM over-charge protection standard.

## CABINET

- Modular design enables flexible installation
- Forced air cooling for maximum reliability
- NEMA 1 rated
- Systems up to 14 KW are self contained; larger systems require external battery cabinet(s)



4.7 KW - 21 KW

Single Phase

Uninterrupted

Emergency

Lighting and

Power

Systems

## INSTALLATION

- Modular design and small footprint allow easy installation in electrical closet or other convenient locations
- Phone assisted factory start-up standard for all systems
- Extended warranty available

## LAMPS AND LOADS

- Emergency power provides FULL LIGHT OUTPUT from all lamps and fixtures for the entire runtime
- Operates fluorescent, compact fluorescent, incandescent, quartz, LED and other lamp types
- Standard or electronic ballasts, dimming devices or panels, sensors and most control equipment
- Standard or LED Exits and other safety equipment

## PROTECTION

- Provides overload, surge and undercurrent protection using DSP/ PWM technology and DSPM Watchdog Software to protect system performance and reliability
- Surge protection against load surges as defined in ANSI/IEEE C62.45 category A and B

## WARRANTY

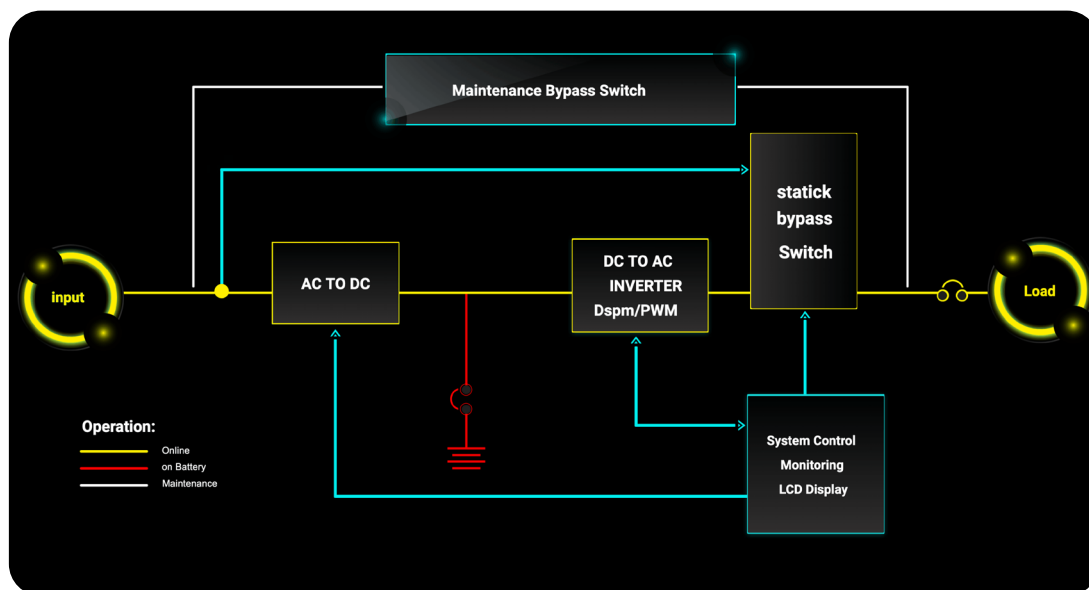
- 1-Year full warranty on system electronics
- Battery warranty 1-year with 9-years pro-rated
- System 1-year on-site warranty labor with DSPM phone assisted start-up
- 5-Year powertrain warranty
- Maintenance contracts available

## SPECIAL APPLICATIONS

- DSPM offers numerous UL924 optional devices to meet unusual or difficult application parameters
- ECM - Environmental Circuit Module allows fixtures and lamps on the emergency circuit(s) to be operated by normal switching and/or dimming devices in NON-emergency conditions
- Dimming Panel Interface allows use with emergency lights controlled by common dimmer panel

## CODES

- UL 924, UL 1778, meets NFPA 101, NFPA 70, NEC and OSHA standards
- Cities of Chicago and New York approved
- Complies with the Buy American Act



# ELECTRICAL SPECIFICATIONS

Input Voltage Range	+10%, -15%
Output Voltage Regulation	±2% for all loads and battery discharge mode
Output Frequency Range	60 Hz, ±1%
Output Wave Form	Sine-wave <5% @ 100% linear load
Crest Facto	2.5:1 typical
Input Protection	Input Main Circuit Breaker
Output Protection	Output Main Circuit Breaker
Surge Protection	The unit will protect itself and the load against surges as defined in ANSI/IEEE C62.45 category A and B
Efficiency	≥92% at 100% linear load
Audible Noise	<45dB measured on Response Curve "A"
Operating Temperature	0° to 40°C (32° to 104°F)
Storage Temperature	-20° to 60°C (-4° to 140°F)
Humidity	5 - 95%, Non-condensing

Eternalight 1 Series	Power Ratings	UPS			Battery			Weight	British Thermal Unit	Battery Type	Voltage (VAC)		Output Protection	Safety Approvals	
		Cabinet Dimensions			Cabinet Dimensions						Input	Output			
	kVA/KW	W	H	D	W	H	D	(lbs)	BTU s	Sealed, Maintenance free (AGM) lead calcium			Input and output circuit breakers standard	UL924 UL1778 NFPA 101 NFPA 70 NEC	
OE1	4.7*	42"	71"	22.5"	not required			1200	1278.4						
	5.25*	42"	71"	22.5"	not required			1200	1428		<u>Select</u>	<u>Select</u>			
	7*	42"	71"	22.5"	not required			1450	1904		120,	120,			
	8*	42"	71"	22.5"	not required			1450	2176		208,	277,			
	10*	42"	71"	22.5"	not required			1820	2720		240,	480,			
	12*	50"	71"	32"	not required			2210	3264		277	120/240			
	14*	50"	71"	32"	not required			2550	3808		or	120/277			
	18	42"	71"	22.5"	42"	71"	22.5"	3750	4896		480				
	21	42"	71"	22.5"	42"	71"	22.5"	4375	5712						

Note: (\*) Represents optional smaller cabinet for 4.7 to 14KW with dimensions 40" 48"H 36"D. Please contact us for more information.

The Online Eternalight 1 provides the simplicity and reliability that is critical when providing an alternative source of power to any environment. Easy installation ... "simplicity" ... connect the OE1 to the emergency circuit(s) and everything is backed up... "reliability" ... during a power outage. All lighting connected to the OE1 will simply continue to operate at "full light output". DSPM Watchdog® software keeps your environment safe while self-diagnostics help maintain equipment to a high standard. Superior surge suppression assures the highest quality of power being delivered to all loads, all the time. Equipment and lamp life are maximized.

We sincerely hope you never experience a real emergency, but if you do,

you deserve the security, safety and peace of mind that the Online Eternalight 1 from DSPM ensures.

## ORDERING INFORMATION

Choose the bold face catalog nomenclature that best suites your needs.

Write them on the appropriate line. Order accessories as separate catalog number.

Example:

OE1 - 8.0 - 120/277 - ECM277/3 OCB/277/3/20/1 - 30

Description of example:

(8.0 KW, 120 Voltage In, 277 Voltage Out, 3 277V Environmental Control Modules, 3 Output 277 Voltage Circuit Breakers at 20amps, 2 pole, 30 minute run time)

OE1		POWER RATING		VOLTAGE <sup>1</sup>		OPTIONS		TIME <sup>3</sup>
FAMILY		KW		Input/Output	Input/Output			Minutes
		4.7		120/120	240/120-240	ECM120 - 120V Environmental control module <sup>2</sup> /qty		5
		5.25		120/277	240/120-277	ECM277 - 277V Environmental control module <sup>2</sup> /qty		10
		7.0		120/480	277/120	NOF - Normally OFF output circuit/voltage / qty/pole		15
		8.0		120/120-240	277/277	NOH - Normally OFF "Hold ON"/voltage/qty/pole		20
		10.0		120/120-277	277/480	OCB - Output circuit breakers / voltage / quantity/amps/pole		25
		12.5		208/120	277/120-240	EPO - Emergency power off		30
		14.0		208/120-120	277/120-277	RSSP - Remote Indicator Panel		45
		18.0		208/277	480/120	SNMP - SNMP Card		60
		21.0		208/480	480/277	FC - Form C Contacts		90 (Standard)
				208/120-240	480/480	SRB - Seismic rated bracket		120
				208/120-277	480/120-240	STU1 - Onsite start-up		180
				240/120	480/120-277	IDB - Internal dimmer bypass		240
				240/277		EMB - External maintenance bypass switch		
				240/480		EW - Extended warranty		

## NOTES:

1-Consult factory for other voltage requirements.

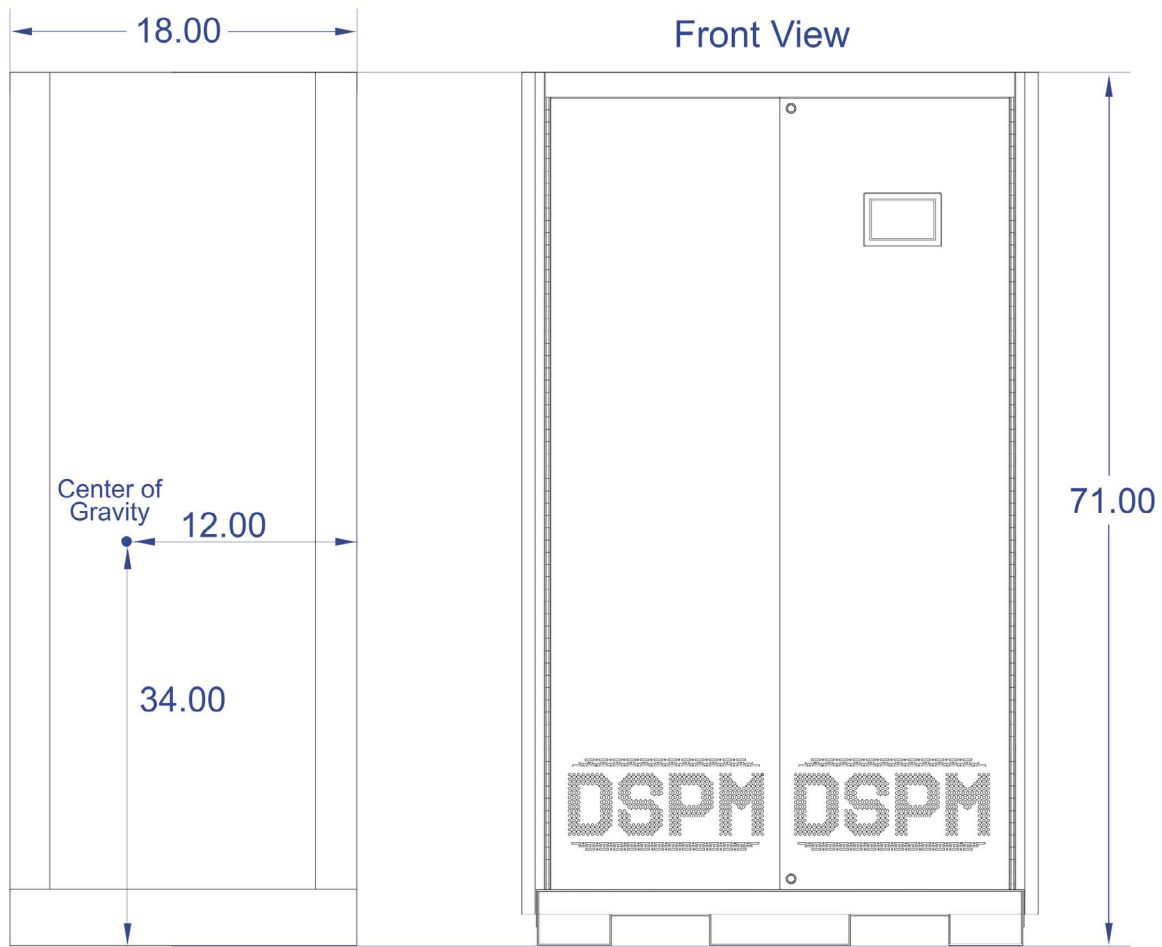
Special voltages may effect the weight, size and number of cabinets.

2-One ECM is used per switching device or circuit.

3-Consult factory for other run times.

Specifications subject to change without notice.

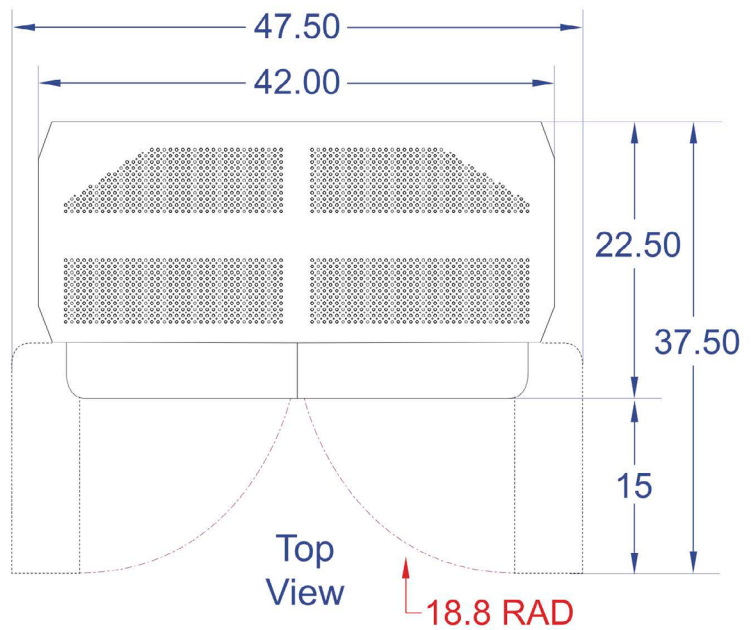
# MECHANICAL FOOTPRINT (Regular)



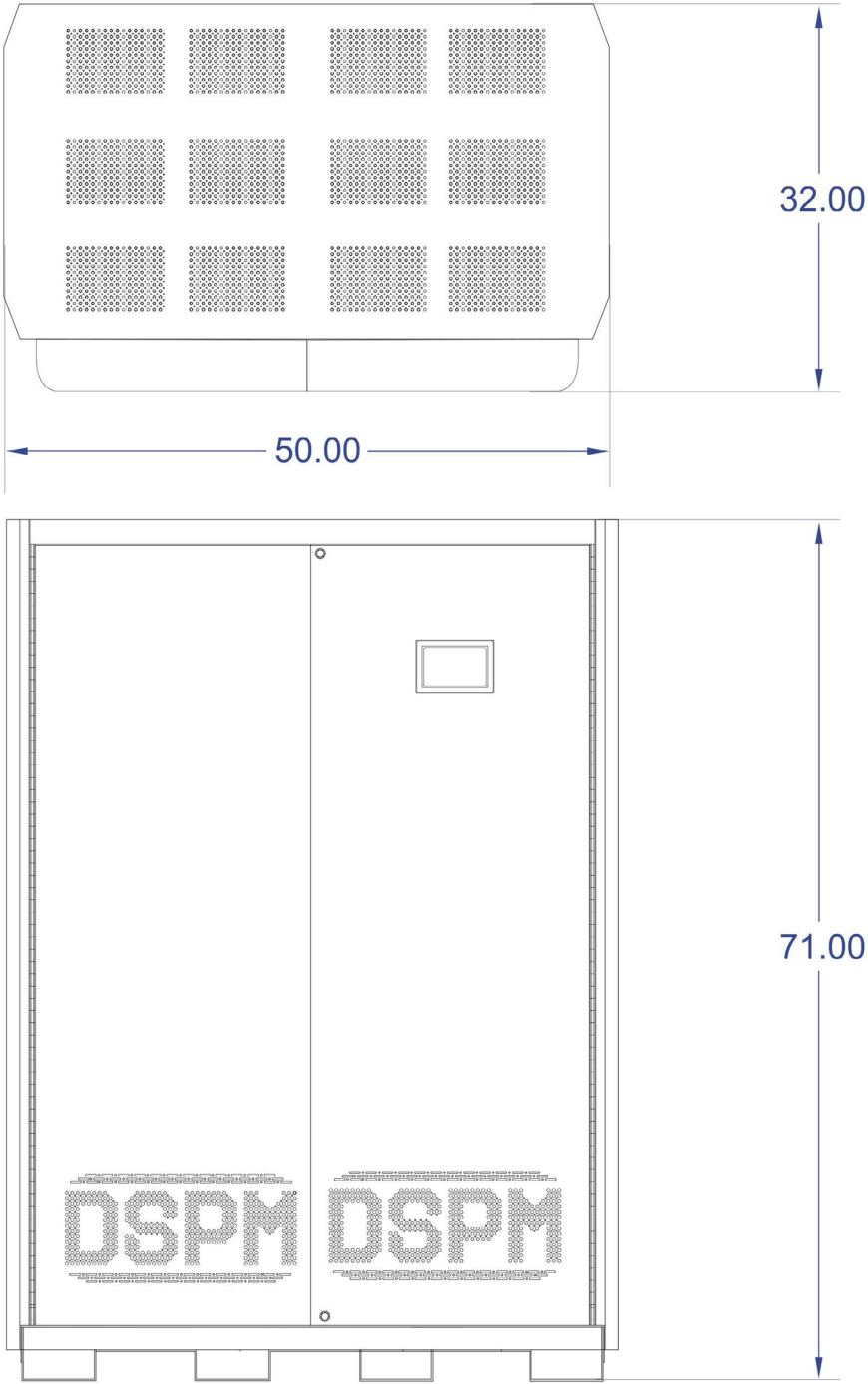
## Right / Left Side View

Per code requirements please leave 3" on each side of the cabinet including the back, and a 3 foot clearance in front.

Notice: This drawing contains confidential and proprietary data originated. All design, manufacturing, reproduction, use and sale rights are expressly reserved. The recipient agrees by accepting this document, not to supply or disclose and information regarding it to any unauthorized person, or to incorporate this data into any other design or use thereof. All patent rights are expressly reserved.



# MECHANICAL FOOTPRINT (SuperCab)



Per code requirements please leave 3' on each side of the cabinet

including the back, and a 3 foot clearance in front.

Notice: This drawing contains confidential and proprietary data originated. All design, manufacturing, reproduction, use and sale rights are expressly reserved.

The recipient agrees by accepting this document, not to supply or disclose and information regarding it to any unauthorized person, or to incorporate this data into any other design or use thereof. All patent rights are expressly reserved.