

ETERNALIGHT_{MINI}

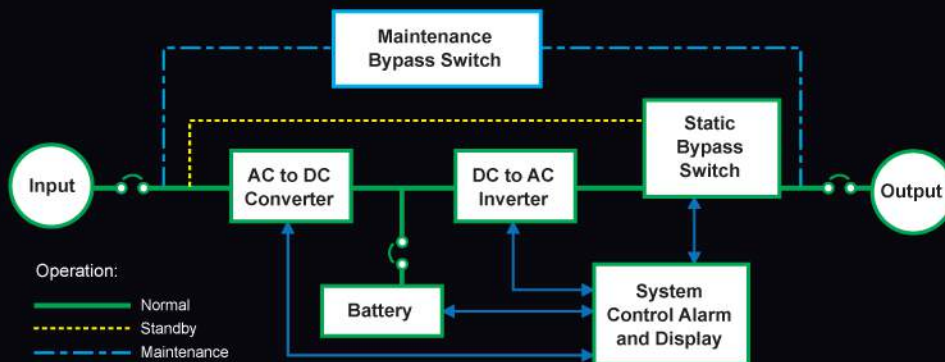
ONLINE EMERGENCY LIGHTING INVERTER

KEEP THE LIGHTS "ON" WHEN YOU NEED THEM THE MOST

SINGLE PHASE 350 W - 2000 W

Defends your environment against unwanted power outage and electrical disturbances by providing:

- DSPM Watchdog software always on guard.
- Display monitor keeps you in control 24/7.
- Dependable DSP/PWM technology for unsurpassed reliability.
- Economical for the lowest overall cost for your light safety with an Energy Star Rating.
- Temperature compensating technology that controls batteries for the longest battery life.
- Sealed maintenance-free batteries.
- Full light output for entire 90 minutes.
- Self-diagnostics for a safe and secure lighted environment.
- Pure sine wave output for all types of lamps.
- ECM module is a patented technology used by DSPM.
- Backup solutions for multiple applications such as: indoor and outdoor emergency lighting, exits, cash registers, computers, strategic electronics, and more!
- 10 Year pro-rated battery warranty.
- 5 Year power train warranty.
- Listed to UL924, UL1778, and UL508.
- Cities of Chicago and New York approved.
- Complies with the Buy American Act.



DSPM INC.
DIGITAL SIGNAL POWER MANUFACTURER
www.dspmanufacturing.com

1921 S. Quaker Ridge Place
Ontario, CA 91761
1.877.DSPM POWER
1.877.377.6769
Fax: 909.930.3335



ETERNALIGHT MINI

ONLINE EMERGENCY LIGHTING INVERTER

KEEP THE LIGHTS "ON" WHEN YOU NEED THEM THE MOST

SINGLE PHASE 350 W - 2000 W



350, 525, 700, 750, 875, 1050, 1400, and 2000 Watts.....Standard Power Levels
 120, 208, 240, 277 or 480 VAC.....Input Voltage
 +10% -15%.....Input Voltage Range
 120, 277, 480, 120/240 or 120/277 VAC.....Output Voltage
 ±2% for all loads and battery discharge mode.....Output Voltage Regulation
 60 Hz, ±1%.....Output Frequency Range
 Sine-wave <5% @ 100% linear load.....Output Wave Form
 2.5:1 typical.....Crest Factor
 Input Main Circuit Breaker.....Input Protection
 Output Main Circuit Breaker.....Output Protection
 The unit will protect itself and the load.....Surge Protection
 against surges as defined in
 ANSI/IEEE C62.45 Category A and B
 Sealed maintenance-free (AGM) lead calcium.....Battery
 Conforms to UL924 standards.....Recharge Current
 Provision for hardware connection of.....External Battery
 external battery cabinets or DC source
 ≥92% at 100% linear load.....Efficiency
 <45dB measured on Response Curve "A".....Audible Noise
 UL924 and UL1778.....ETL Listed
 0° to 40°C (32° to 104°F).....Operating Temperature
 -20° to 60°C (-4° to 140°F).....Storage Temperature
 5 - 95%, Non-condensing.....Humidity

Options:

ECM - Environmental Control Module
 NOF - Normally OFF Circuit
 NOH - Normally OFF "Hold On"
 OCB - Output Circuit Breker(s)
 EPO - Emergency Power Off
 RSSP - Remote Indicatoor Panel
 SNMP - SNMP Card
 FC - Form C Contacts
 SRB - Seismic-Rated Bracket
 STU1 - Onsite Startup
 IDB - Internal Dimmer Bypass
 EMB - External Maintenance Bypass
 EW - Extended Warranty

Specifications subject to change without notice.

Mini Series	Power Rating	UPS Cabinet Dimensions			Weight (lbs)
		W	H	D	
OEMINI (Consult factory for others)	VA/W				
	350	24"	26"	16"	340
	525	24"	26"	16"	340
	700	24"	26"	16"	370
	750	24"	26"	16"	370
	875	24"	26"	16"	370
	1050	24"	26"	16"	440
1400	24"	26"	16"	460	
2000	24"	26"	16"	600	

DSPM INC.
 DIGITAL SIGNAL POWER MANUFACTURER
 www.dspmanufacturing.com

Represented By:

1921 S. Quaker Ridge Place
 Ontario, CA 91761
 1.877.DSPM POWER
 1.877.377.6769
 Fax: 909.930.3335