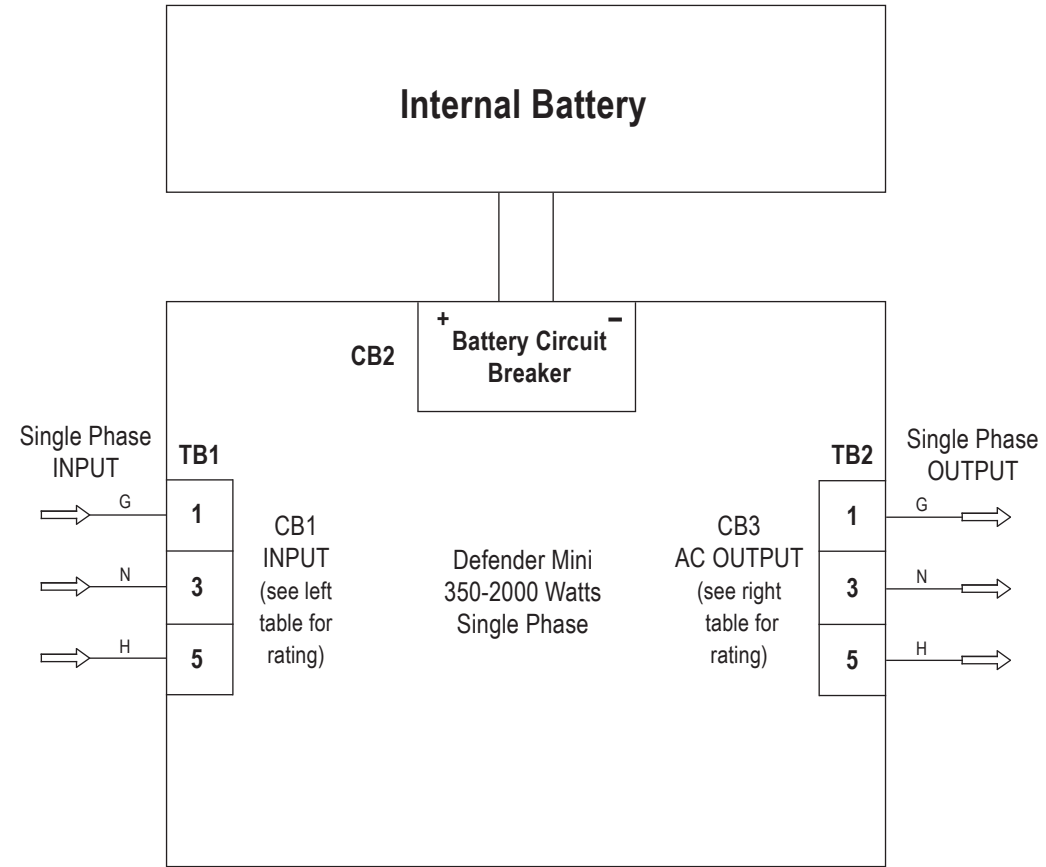


Watts	Input Voltage	Utility Feed Amps
350	120	5
	208	3
	240	2.6
	277	2.2
	480	1.3
525	120	7.7
	208	4.4
	240	3.8
	277	3.3
	480	1.9
700	120	10.2
	208	5.9
	240	5.1
	277	4.4
	480	2.6
875	120	12.8
	208	7.4
	240	6.4
	277	5.5
	480	3.2
1050	120	15.3
	208	8.8
	240	7.7
	277	6.6
	480	3.8
1400	120	20.4
	208	11.8
	240	10.2
	277	8.8
	480	5.1
2000	120	29.2
	208	16.8
	240	14.6
	277	12.6
	480	7.3



Watts	Output Voltage	Max Output Amps
350	120	2.9
	277	1.3
	480	0.7
	120/240*	2.9/1.5
	120/277*	2.9/1.3
525	120	4.4
	277	1.9
	480	1.1
	120/240*	4.4/2.2
	120/277*	4.4/1.9
700	120	5.8
	277	2.5
	480	1.5
	120/240*	5.8/2.9
	120/277*	5.8/2.5
875	120	7.3
	277	3.2
	480	1.8
	120/240*	7.3/3.6
	120/277*	7.3/3.2
1050	120	8.8
	277	3.8
	480	2.2
	120/240*	8.8/4.4
	120/277*	8.8/3.8
1400	120	11.7
	277	5.1
	480	2.9
	120/240*	11.7/5.8
	120/277*	11.7/5.1
2000	120	16.7
	277	7.2
	480	4.2
	120/240*	16.7/8.3
	120/277*	16.7/7.2