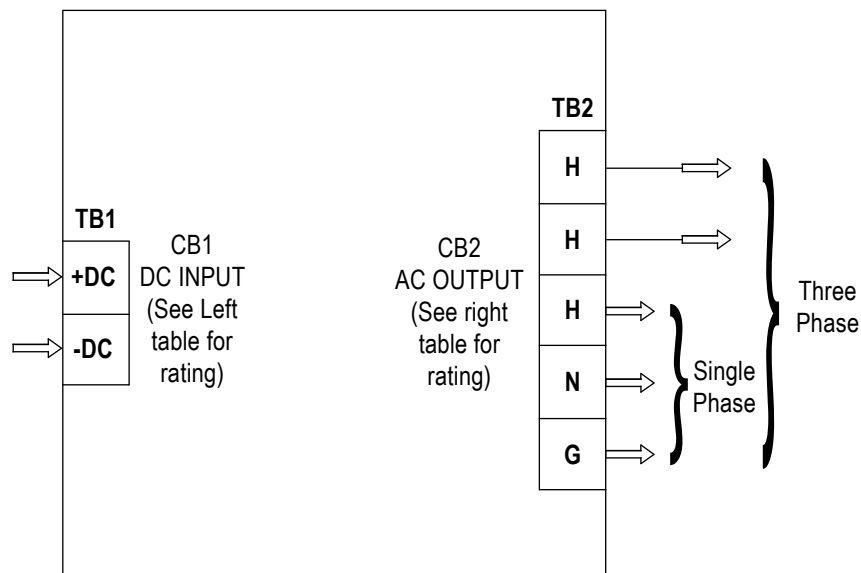


System Power (KW)	Input Amp
8	13.5
16	27
24	40
32	54



Output Type	Output Voltage (VAC)	Output Amp
Single Phase	120	66.7
	277	29
	480	16.7
	240/120	66.7/33.4
	277/120	66.7/29
Three Phase	480/277	9.6
	208/120	22.2
Single Phase	120	133.4
	277	58
	480	33.4
	240/120	134/66.7
	277/120	58/133.4
Three Phase	480/277	19.2
	208/120	44.5
Single Phase	120	200
	277	87
	480	50
	240/120	100/200
	277/120	87/200
Three Phase	480/277	29
	208/120	67
Single Phase	120	267
	277	115.5
	480	66.7
	240/120	133.4/267
	277/120	115.5/267
Three Phase	480/277	38.5
	208/120	89