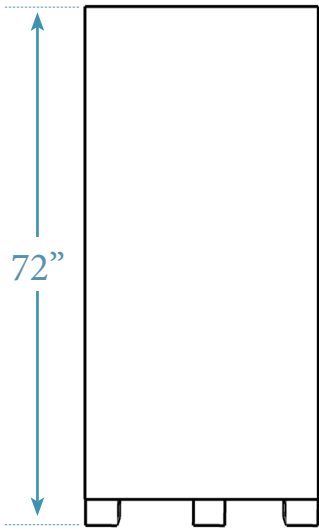
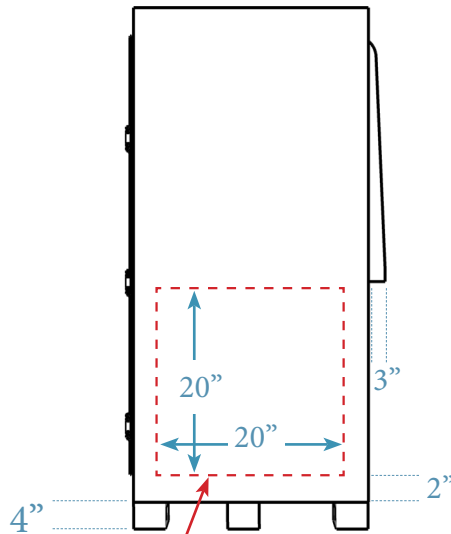


Left Side View

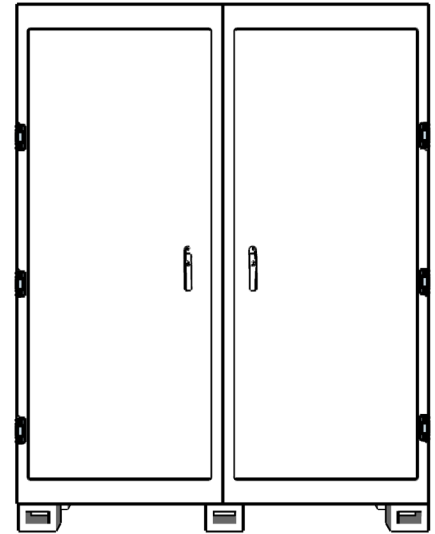


Right Side View

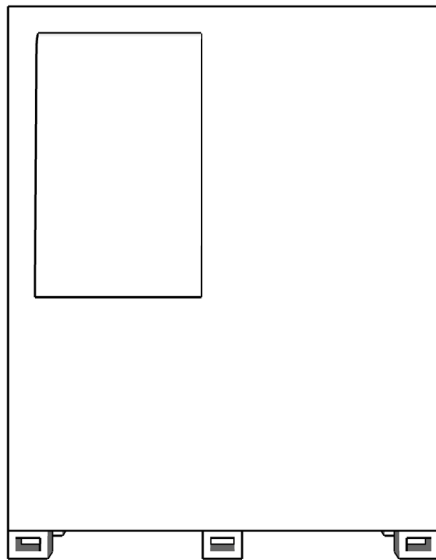


Conduit Access*

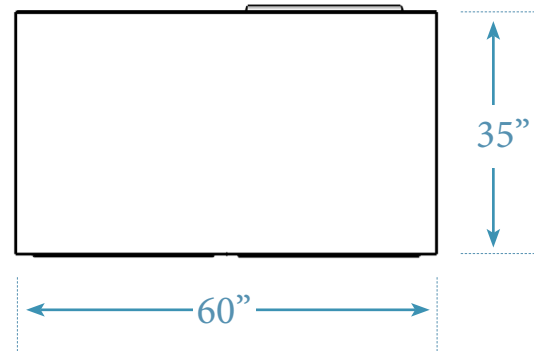
Front View



Back View



Top View



Per code requirements please leave 3" on each side of the cabinet including the back, and a 3 foot clearance in front.

*Contact factory for further options.

*Contact factory for special conduit access arrangements

Notice: This drawing contains confidential and proprietary data originated. All design, manufacturing, reproduction, use and sale rights are expressly reserved. The recipient agrees by accepting this document, not to supply or disclose and information regarding it to any unauthorized person, or to incorporate this data into any other design or use thereof. All patent rights are expressly reserved.