



PIRANHA

SPECIFICATIONS

- The Piranha provides the ultimate in power conditioning voltage regulation and is designed to be fully field supported. The Piranha comes standard with a manual bypass switch that enables the unit to operate keeping you on-line when you need it most!

POWER RATING

- 10 kVA - 250 kVA three phase output unit uses the latest technology to provide the most advanced performance and reliability features.

PROTECTION

- Provides overload, surge and undercurrent protection using DSP/PWM technology and DSPM Watchdog Software to protect system performance and reliability.
- Surge protection against load surges as defined in ANSI/IEEE C62.45 category A and B

INPUT

- 208, 240 or 480 VAC
- Regulation Range of +10%, -15%
- 0.95 Power Factor

OUTPUT

- 120/240, 208Y/120 or 480Y/277 VAC output 60 Hz
- Voltage regulation $\pm 1\%$ typical, $\pm 2\%$ max

RELIABILITY

- MTBF greater than 200,000 hours in worst case conditions
- MTTR of less than 2 hours
- The front access control panel makes it easy to maintain and ensures maximum up time

CODES

- Built to UL standard 1950
- Complies with the Buy American Act



10 kVA - 250 kVA

Three Phase

Outdoor

Power

Conditioning/

Voltage

Regulator

LAMPS AND LOADS

- Offers a Subcycle Voltage correction
- Maintains a “Peak to RMS” ratio ≥ 3 to 1

DIAGNOSTICS AND MAINTENANCE

- DSP/PWM technology and DSPM Watchdog Software provides complete self diagnostic capabilities and LED Monitoring
- Informative advanced Display and Alarms keep you in control of your emergency lighting environment 24/7.

WARRANTY

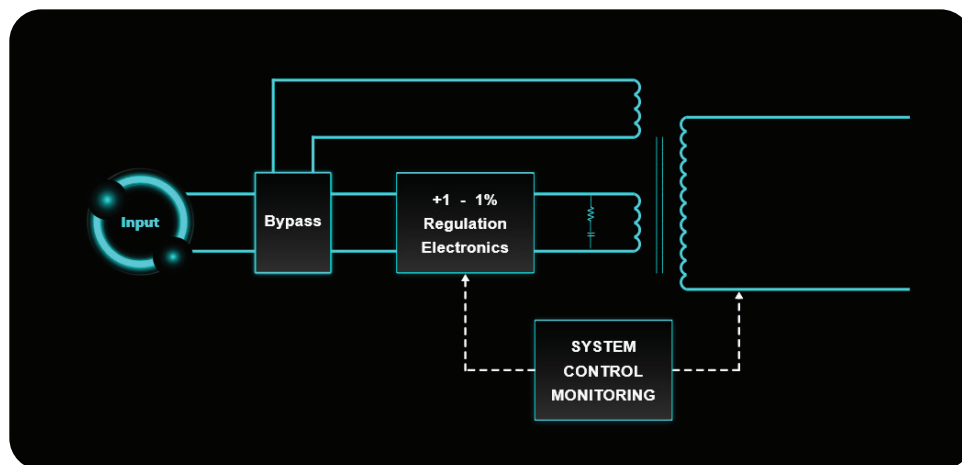
- 1-Year full warranty on system electronics
- System 1-year on-site warranty labor with DSPM phone assisted start-up
- 5-Year powertrain warranty
- Maintenance contracts available

INSTALLATION

- Modular design and small footprint allow easy installation in electrical closet or other convenient locations
- Phone assisted factory start-up standard for all systems
- Extended warranty available

NEMA 4X or 12 CABINET

- Modular design enables flexible installation
- Forced air cooling for maximum reliability
- All systems are self contained



Piranha Harsh Series	Power Rating	Cabinet Dimensions			Weight	BTU's	Voltage (VAC)	
		W	H	D			Input	Output
PRH	kVA				(lbs)			
	10	72"	72"	36"	550	2060	<i>Select</i> 208, 240 or 480 VAC	<i>Select</i> 120/240, 280Y/120 or 480Y/277 VAC
	20	72"	72"	36"	600	3075		
	30	72"	72"	36"	650	4090		
	50	72"	72"	36"	850	7447		
	75	72"	72"	36"	1100	10800		
	100	72"	72"	36"	1350	13790		
	125	Consult Factory				17195		
	150	Consult Factory				20600		
	250	Consult Factory				33400		

The Piranha offers exceptional reliability with a Mean Time Between Failure greater than 200,000 hours in worst case conditions and Mean Time To Repair of less than 2 hours. The front access control makes it easy to maintain and ensures maximum up time.

The Piranha from DSPM "Takes a Bite Out of Power Problems".

ORDERING INFORMATION

Choose the bold face catalog nomenclature that best suites your needs.

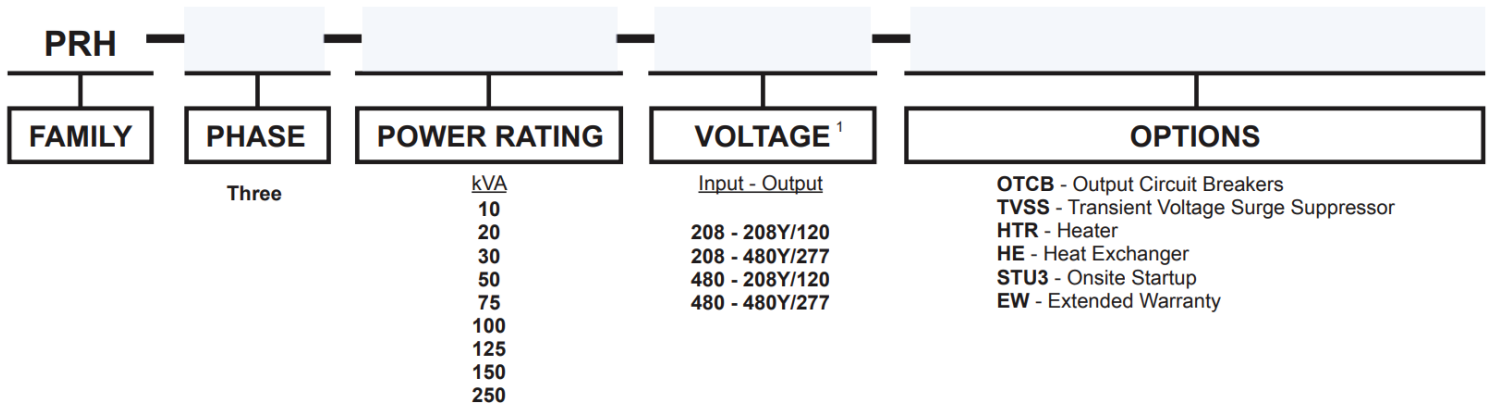
Write them on the appropriate line. Order accessories as separate catalog number.

Example:

PRH - Three - 30 - 240 208Y/120 - TVSS EW

Description of example:

(Three Phase, 30 kVA, 240 Voltage In, 208Y/120 Voltage Out, Transient Voltage Surge Suppressor, Extended Warranty)



NOTES:

1-Consult factory for other voltage requirements. Special voltages

may effect the weight, size and number or cabinets.

Specifications subject to change without notice