



# FREQUENCY CONVERTER

---

## SPECIFICATIONS

- The Frequency Converter 3 maintains efficient and accurate voltage and frequency regulation. Which provides superior dependability to commercial/industrial environments in a small footprint.

## POWER RATING

- 10 kVA - 125 kVA three phase output unit uses the latest DSP/PWM technology to provide the most advanced performance and reliability features.

## PROTECTION

- Provides overload, surge and undercurrent protection using DSP/PWM technology and DSPM Watchdog Software to protect system performance and reliability.
- Surge protection against load surges as defined in ANSI/IEEE C62.45 category A and B

## INPUT

- 208, 380, 400, 415, 220, 380 or 480 VAC

## OUTPUT

- 208VY, 380VY, 400VY, 415VY or 220VΔ, 180VΔ,
- 208Y/120, 380Y/220, 400Y/230, 415Y/240,
- 220Y/127 or 480/277

## BATTERIES

- Sealed, maintenance-free, lead calcium (AGM) batteries
- 10-Year prorated warranty
- DSP/PWM Smart Battery Monitoring System is TEMPERATURE COMPENSATED maintaining maximum runtime and battery life
- Microprocessor controlled recharge and DSP/PWM overcharge protection standard

## CODES

- Meets NFPA 101, NFPA 70, NEC and OSHA standards
- Complies with the Buy American Act



10 kVA - 125 kVA

Three Phase

Indoor

Frequency

Converter

Power

System

## LAMPS AND LOADS

- Sine wave output
- 7% THD at 100% linear load

## DIAGNOSTICS AND MAINTENANCE

- DSP/PWM technology and DSPM Watchdog Software provides complete self diagnostic capabilities and LED Monitoring
- Informative advanced Display and Alarms keep you in control of your emergency lighting environment 24/7.

## WARRANTY

- 1-Year full warranty on system electronics
- System 1-year on-site warranty labor with DSPM phone assisted start-up
- 5-Year powertrain warranty
- Maintenance contracts available

## INSTALLATION

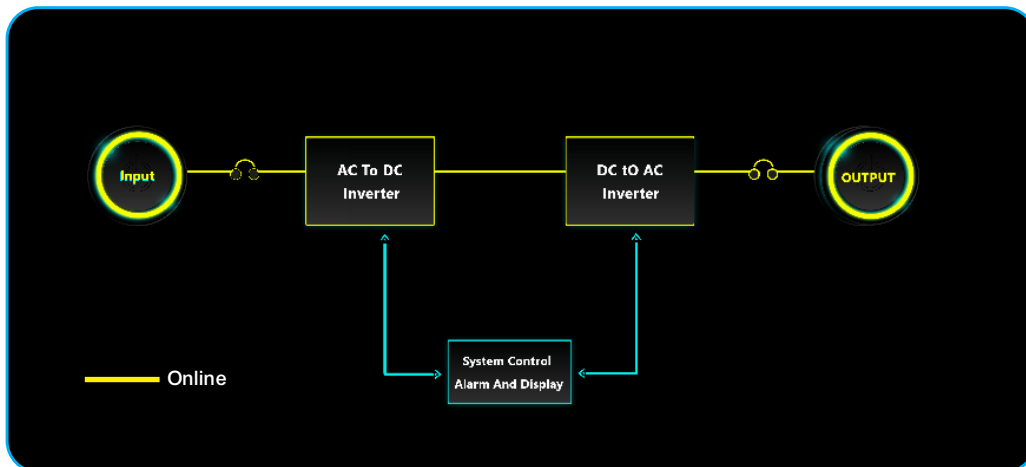
- Modular design and small footprint allow easy installation in electrical closet or other convenient locations
- Phone assisted factory start-up standard for all systems
- Extended warranty available

## SPECIAL APPLICATIONS

- DSPM offers numerous UL924 optional devices to meet unusual or difficult application parameters
- ECM - Environmental Circuit Module allows fixtures and lamps on the emergency circuit(s) to be operated by normal switching and/or dimming devices in NON-emergency conditions
- Dimming Panel Interface allows use with emergency lights controlled by common dimmer panel

## CABINET

- Modular design enables flexible installation
- Forced air cooling for maximum reliability
- All systems are self contained



Frequency Converter Series	Power Rating	Cabinet Dimensions			Weight	Voltage (VAC)		Output Protection	Safety Approvals
		kVA	W	H		D	(lbs)		
FC3	10	42"	71"	22.5"	1100	208, 380, 400, 415, 220, 380 or 480 VAC	208VY, 380VY, 400VY, 415VY, 220VΔ, 480VΔ, 208Y/120, 380Y/220, 400Y/230, 415Y/240, 220Y/127 or 480/277 VAC	Inpt and output circuit breakers standard	NFPA 101 NFPA 70 NEC
	12	42"	71"	22.5"	1200				
	16	42"	71"	22.5"	1300				
	20	42"	71"	22.5"	1400				
	24	42"	71"	22.5"	1500				
	30	42"	71"	22.5"	1600				
	40	42"	71"	22.5"	1700				
	50	50"	71"	32"	2050				
	60	50"	71"	32"	Consult Factory				
	80	50"	71"	32"	Consult Factory				
	100	50"	71"	32"	Consult Factory				
	125	50"	71"	32"	Consult Factory				

The Frequency Converter provides the simplicity and reliability that is needed when converting frequency. Easy installation ..."simplicity"...connect the FC3 to the circuit(s) and your frequency is..."reliable"...no matter the power needed. All loads connected to the FC3 will continuously supply the frequency needed for you. DSPM Watchdog© software keeps your environment safe while self-diagnostics help maintain equipment to a high standard. Superior surge suppression assures the highest quality of power being delivered to all loads, all the time.

You deserve the **peace of mind** that the Frequency Converter from **DSPM** ensures.

## ORDERING INFORMATION

Choose the bold face catalog nomenclature that best suites your needs.

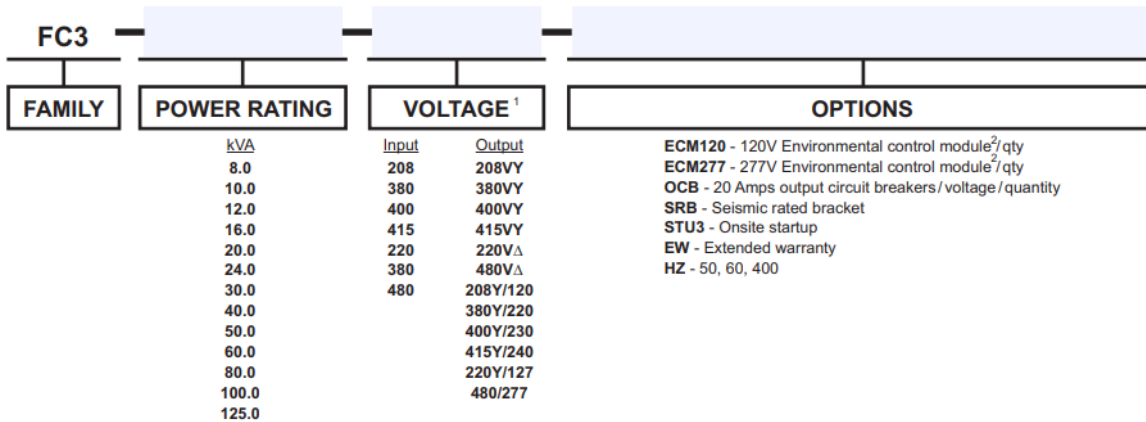
Write them on the appropriate line. Order accessories as separate catalog number.

Example:

**FC3 - 12.0 - 208Y/120 208Y/120 - OCB/120/3 - 400**

Description of example:

(12.0 kVA, 208Y/120 Voltage In, 208Y/120 Voltage Out, 3 Output 120 Voltage Circuit Breakers, 400Hz Output)



## NOTES:

1- Consult factory for other voltage requirements.

Special voltages may effect the weight, size and number of cabinets.

2- One ECM is used per switching device or circuit.